



#1896 Fiberglass Fender Flares Installation Instructions

TOOLS NEEDED:

Drill & Drill Bit Set	Jig Saw
Rivet Tool	Fire Extinguisher

PARTS INCLUDED:

Front & Rear Fender Flares	100 - Pop Rivets
----------------------------	------------------

**Read instructions thoroughly prior to installation.
Installing these flares will require cutting of the Bronco sheet metal.**

INSTALLATION:

1. Remove the factory fender and quarter panel support brackets and discard.
2. Starting with the left rear wheel opening, hold the matching flare up to the wheel opening in the location you wish to mount it. The flare should ideally be centered over the wheel. Pay attention to clearance for the fuel caps (these flares DO NOT fit on 1977 Ford Broncos with factory fuel doors).
3. With the flare clamped in place, use a grease marker to outline the shape of the fender flare on the body. (Figure 3) Remove the flare and mark a line 1.5" inward of this line. (Figure 1 & 2) This inward line will be used for the cutting line.
4. Using a jig saw or similar tool, carefully cut along the cutting line (inward line closest to the wheel opening). Use padding between the jig saw and the Bronco body to prevent paint damage.
5. Utilizing the dimples formed in the flares, use an appropriately sized drill bit to drill the marked spots on the flare. Once drilled, turn the flare over and clean up any excess material from the backside of the flare. This is a good time to paint the flares if you are going to.
6. Hold the flare up to the body with the welting pinched between the flare and body. (Figure 4) Using an appropriately sized drill bit, drill through the welting and body to create a hole for rivet mounting the flare. We recommend starting from the center of the flare and working your way out to the edges. Pay attention to ensure the flare is aligned well with the body lines and that the top of the flare is level.
7. Using a rivet tool, install provided pop rivets through the holes in the fender flares and body to secure the flares to the Bronco.

#1896 Fender Flare Installation Schematics

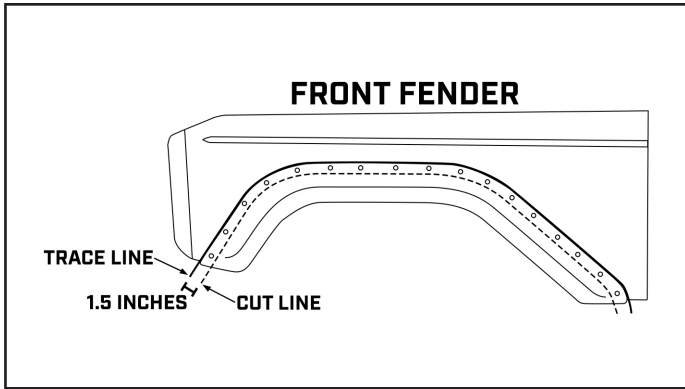


Figure 1

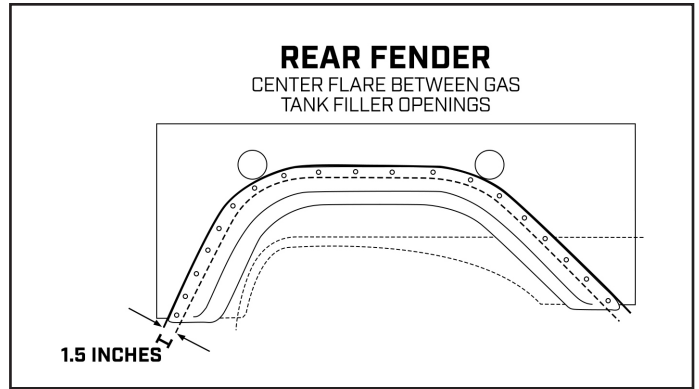


Figure 2

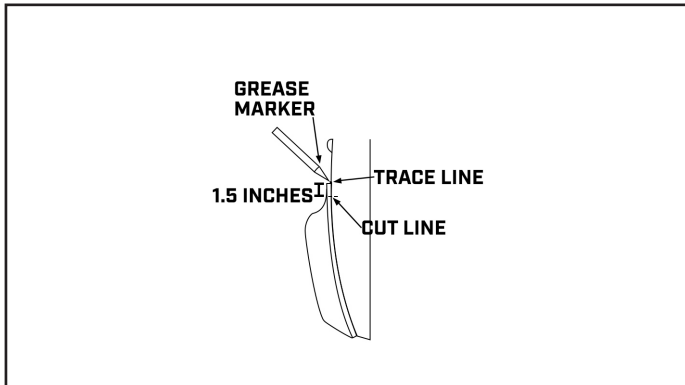


Figure 3

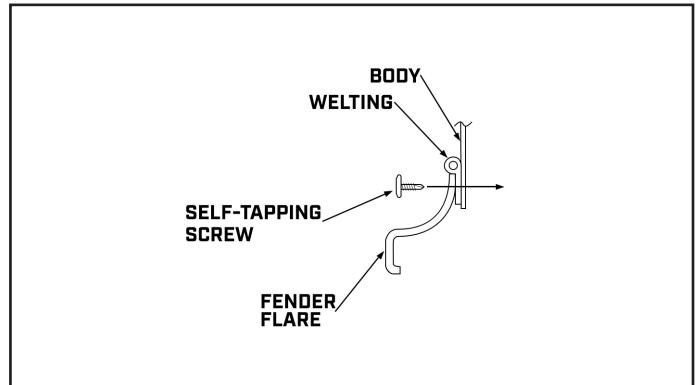


Figure 4