

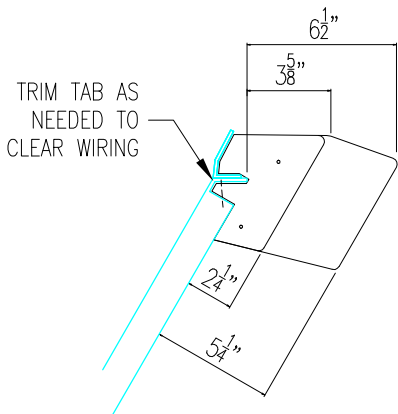
DRIVER SIDE MOUNTING BRACKET
USE EXISTING HOLES



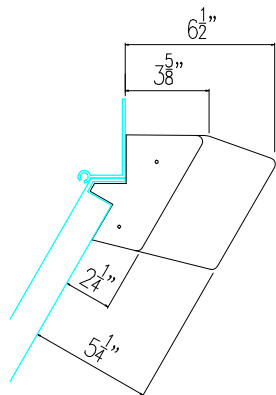
CENTER MOUNTING BRACKET
USE EXISTING HOLES

BRACKETS ARE MOUNTED USING PLATED #8 SCREWS
USE #10 SCREWS IF THE #8 DO NOT FASTEN
WIPER COVER IS MOUNTED USING #8 BLACK OVAL PHILLIPS TRIM SCREWS
WIPER COVER SHOULD MOUNT WITHIN 1/16" FLUSH TO BOTTOM OF FRAME

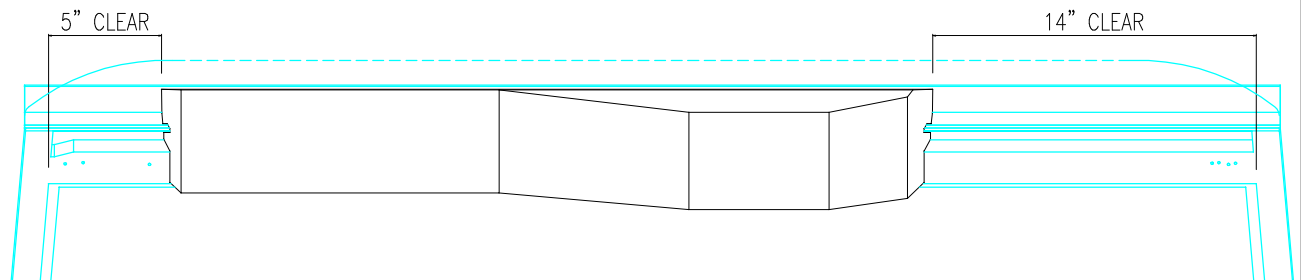
PASSENGER SIDE MOUNTING BRACKET
DRILL TWO 1/8" DIA. HOLES



TOMS OFFROAD
K-LINE/RAMPAGE/SPECIALTY



BESTOP STYLE



**TOMS
OFFROAD**
TOMSOFFROAD.COM 541.779.1339

DWG. TITLE		WIPER COVER			
		BRACKET MOUNTING INSTRUCTIONS			
CUST. NAME					
SIZE	A	DRAWN	CJG	SCALE	NONE
				DATE	6/7/21
				DWG No.	SHEET 1 OF 1