



# 1966-77 Ford Bronco

Gen 5 Evaporator Kit  
4-Vent  
(751702)



18865 Goll St. San Antonio, TX 78266  
Phone: 800-862-6658  
Sales: [sales@vintageair.com](mailto:sales@vintageair.com)  
Tech Support: [tech@vintageair.com](mailto:tech@vintageair.com)  
[www.vintageair.com](http://www.vintageair.com)



www.vintageair.com

# Table of Contents

Cover..... 1

Table of Contents..... 2

Packing List/Parts Disclaimer..... 3

Information Page..... 4

Wiring Notice..... 5

Engine Compartment Disassembly, Condenser Assembly and Installation, Compressor and Brackets..... 6

Passenger Compartment Disassembly..... 7

Defrost Duct Hose Adapter Installation, Evaporator Bracket, Plenum & Heater Fitting Installation... 8-9

Airbox Modification, Kick Panel Cover Installation..... 10

Evaporator Installation..... 11

Drain Hose Installation, Lubricating O-rings, A/C Hose Installation..... 12

Heater Hose & Heater Control Valve Installation..... 13

Under Dash Louver Installation..... 14

Final Steps: Completing the Install, Final Steps: Installation Check..... 15-16

ECU, Control Panel & Duct Hose Routing..... 17

Gen 5 Wiring Diagram, Gen 5 Wiring Connection Instruction..... 18-19

Glove Box Installation..... 20

Quality Crimp Guideline..... 21

Operation of Controls..... 22

Troubleshooting Guide, Advanced Diagnostics and Troubleshooting Guide..... 23-24

Packing List..... 25

## Additional Info: Please Read Before Beginning

The following parts (not included with this kit) may be required for some installations:

**Fan Shroud:** Vintage Air Part # 32067-LFF

**Fan Blade:** Vintage Air Part # 32917-VUF

**Upper Radiator Hose:** Gates Hose Part # 22628

## Control Panel Information—Please Read

The supplied control panel kit is shown below, and includes (3) black rubber knobs with labels. For a more customized look, an additional option is available for purchase from Vintage Air.

### A. Control Panel Knob Upgrade Kit (474159):

This kit features (3) aluminum knobs and decal bezels with labels as shown below.



Included



Option A



www.vintageair.com

## Packing List: Evaporator Kit (751702)

No.	Qty.	Part No.	Description
1.	1	765200	Gen 5 Super Magnum Module
2.	1	791702	Accessory Kit

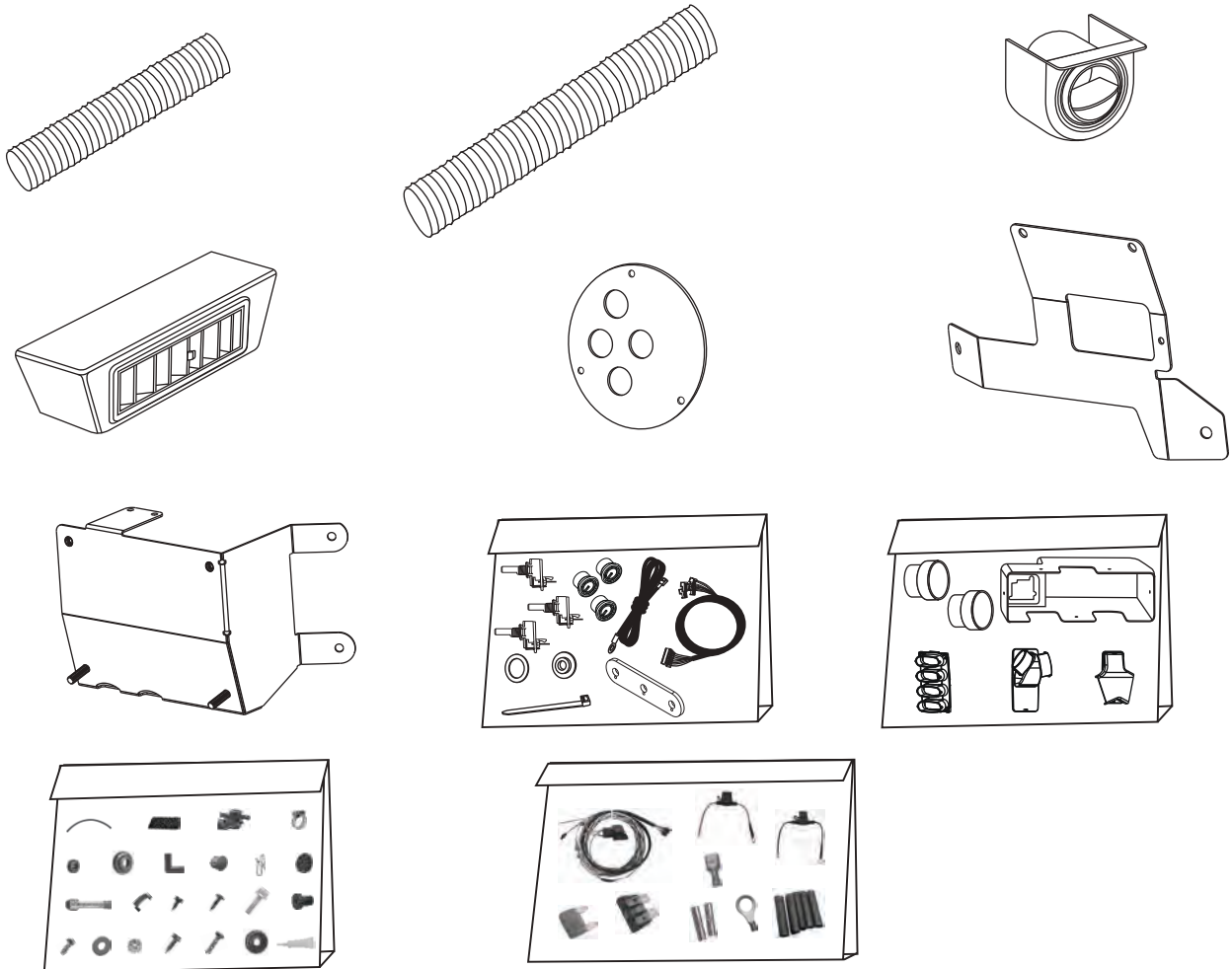
**\*\* Before beginning installation, open all packages and check contents of shipment. Please report any shortages directly to Vintage Air within 15 days. After 15 days, Vintage Air will not be responsible for missing or damaged items.**

1



Gen 5 Super Magnum  
Module  
765200

2



Accessory Kit  
791702

**NOTE: Images may not depict actual parts and quantities. Refer to packing list for actual parts and quantities.**



www.vintageair.com

## Important Notice—Please Read

*For Maximum System Performance, Vintage Air Recommends the Following:*

**NOTE:** Vintage Air systems are designed to operate with R134a refrigerant only. Use of any other refrigerant could damage your A/C system and/or vehicle, and possibly cause a fire, in addition to potentially voiding the warranties of the A/C system and its components.

### Refrigerant Capacities:

**Vintage Air System:** 1.8 lbs. (28.8 oz.) or 816 grams of **R134a**, charged by weight with a quality charging station or scale. **NOTE: Use of the proper type and amount of refrigerant is critical to system operation and performance.**

**Other Systems:** Consult manufacturer's guidelines.

### Lubricant Capacities:

**New Vintage Air-Supplied Sanden Compressor:** No additional oil needed (Compressor is shipped with proper oil charge).

**All Other Compressors:** Consult manufacturer (Some compressors are shipped dry and will need oil added).

### Safety Switches

Your Vintage Air system is equipped with a binary pressure safety switch. A binary switch disengages the compressor clutch in cases of extreme low pressure conditions (refrigerant loss) or excessively high head pressure (406 PSI) to prevent compressor damage or hose rupture. A trinary switch combines Hi/Lo pressure protection with an electric fan operation signal at 254 PSI, and should be substituted for use with electric fans. Compressor safety switches are extremely important since an A/C system relies on refrigerant to circulate lubricant.

### Service Info:

**Protect Your Investment:** Prior to assembly, it is critical that the compressor, evaporator, A/C hoses and fittings, hardlines, condenser and receiver/drier remain capped. Removing caps prior to assembly will allow moisture, insects and debris into the components, possibly leading to reduced performance and/or premature failure of your A/C system. This is especially important with the receiver/drier.

Additionally, when caps are removed for assembly, **BE CAREFUL!** Some components are shipped under pressure with dry nitrogen.

**Evacuate the System for 35-45 Minutes:** Ensure that system components (Drier, compressor, evaporator and condenser) are at a temperature of at least 85°F. On a cool day, the components can be heated with a heat gun **or** by running the engine with the heater on before evacuating. Leak check and charge to specifications.

### Bolts Passing Through Cowl and/or Firewall:

To ensure a watertight seal between the passenger compartment and the vehicle exterior, for all bolts passing through the cowl and/or firewall, Vintage Air recommends coating the threads with silicone prior to installation.

### Heater Hose (not included with this kit):

Heater hose may be purchased from Vintage Air (Part#31800-VUD) or your local parts retailer. Routing and required length will vary based on installer preference.



www.vintageair.com

## Important Wiring Notice—Please Read

*Some vehicles may have had some or all of their radio interference capacitors removed. There should be a capacitor found at each of the following locations:*

- 1. On the positive terminal of the ignition coil.**
- 2. If there is a generator, on the armature terminal of the generator.**
- 3. If there is a generator, on the battery terminal of the voltage regulator.**

Most alternators have a capacitor installed internally to eliminate what is called “whining” as the engine is revved. If whining is heard in the radio, or just to be extra cautious, a radio interference capacitor can be added to the battery terminal of the alternator.

It is also important that the battery lead is in good shape and that the ground leads are not compromised. There should be a heavy ground from the battery to the engine block, and additional grounds to the body and chassis.

If these precautions are not observed, it is possible for voltage spikes to be present on the battery leads. These spikes come from ignition systems and charging systems, and from switching some of the vehicle’s other systems on and off. Modern computer-operated equipment can be sensitive to voltage spikes on the power leads, which can cause unexpected resets, strange behavior and/or permanent damage.

Vintage Air strives to harden our products against these types of electrical noise, but there is a point where a vehicle’s electrical system can be degraded so much that nothing can help.

Radio interference capacitors should be available at most auto and truck parts suppliers. They typically are cylindrical in shape, a little over an inch long and a little over a half-inch in diameter, and they have a single lead coming from one end of the cylinder with a terminal on the end of the wire, as well as a mounting clip which is screwed into a good ground on the vehicle. The specific value of the capacitance is not too significant in comparison to ignition capacitors that are matched with the coil to reduce pitting of the points.

- Care must be taken, when installing the compressor lead, not to short it to ground. The compressor lead must not be connected to a condenser fan or to any other auxiliary device. Shorting to ground or connecting to a condenser fan or any other auxiliary device may damage wiring or the compressor relay, and/or cause a malfunction.
- When installing ground leads on Gen 5 systems, the blower control ground and ECU ground must be connected directly to the negative battery post.
- For proper system operation, the heater control valve must be connected to the ECU.



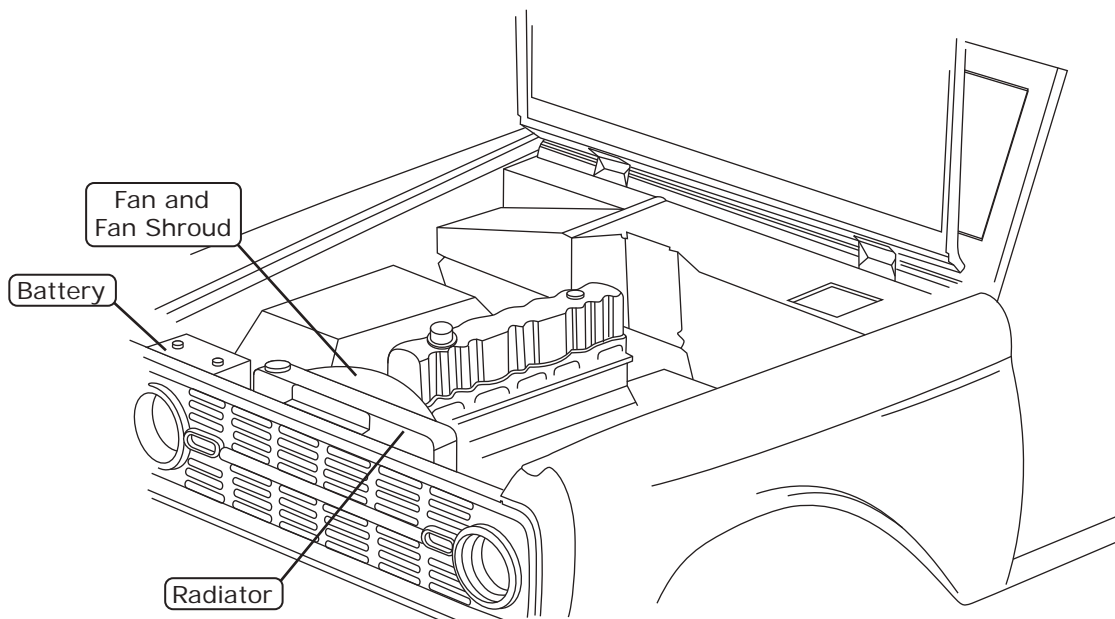
www.vintageair.com

## Engine Compartment Disassembly

**NOTE:** Before starting the installation, check the function of the vehicle (horn, lights, etc.) for proper operation, and study the instructions, illustrations, photos & diagrams.

**Perform the Following:**

1. Disconnect the battery.
2. Remove the battery and battery tray (retain).
3. Remove the OEM fan and fan shroud (retain).
4. Drain and remove the radiator (retain).
5. Remove all OEM heater hoses (discard).



**Figure 1**

## Condenser Assembly and Installation

1. Refer to separate instructions included with the condenser kit to install the condenser.
2. Binary switch installation (Refer to condenser instructions).

## Compressor and Brackets

1. Refer to separate instructions included with the bracket kit to install the compressor bracket.

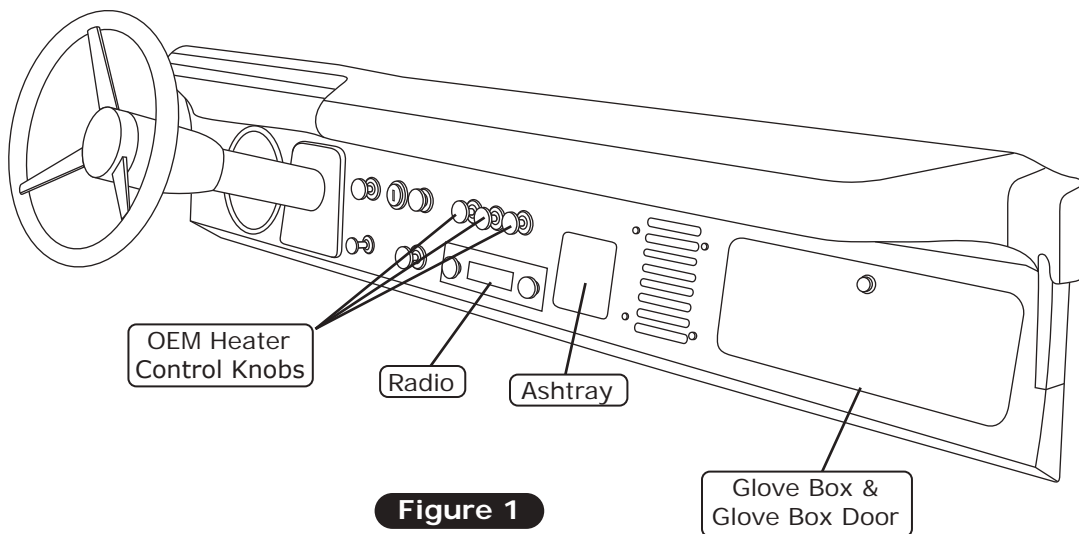


www.vintageair.com

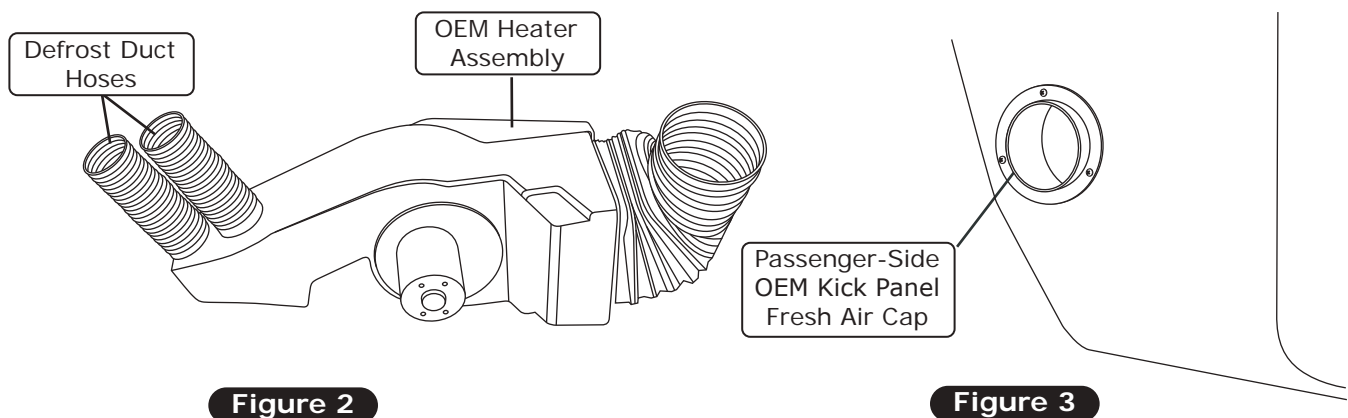
## Passenger Compartment Disassembly

### Perform the Following:

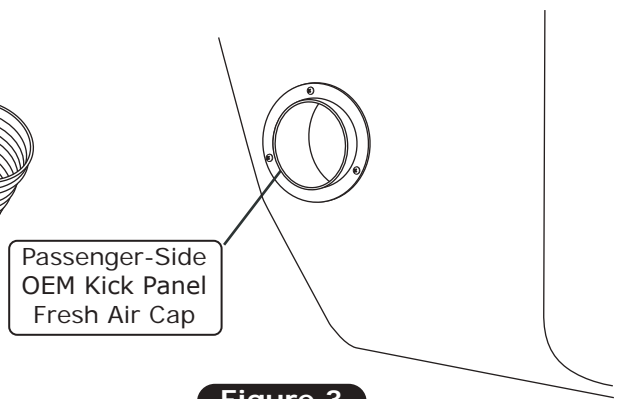
1. Remove the glove box door (retain) and the glove box (discard) (See Figure 1, below).
2. Disconnect all the wires and cables from the OEM heater control knobs.
3. Remove the OEM heater control knobs (See Figure 1, below).
4. Remove the OEM heater assembly (discard) (See Figure 2, below).
5. Remove the OEM duct hoses from the defrost ducts (discard) (See Figure 2, below).
6. Remove the passenger-side kick panel fresh air cap (discard cap, retain mounting hardware) (See Figure 3, below).



**Figure 1**



**Figure 2**



**Figure 3**



www.vintageair.com

## Defrost Duct Hose Adapter Installation

1. Install (2) S-clips onto driver- and passenger-side defrost duct hose adapters (See Figure 1a, below).
2. Install driver- and passenger-side defrost duct hose adapters onto the OEM defrost ducts as shown in Figure 1, below.

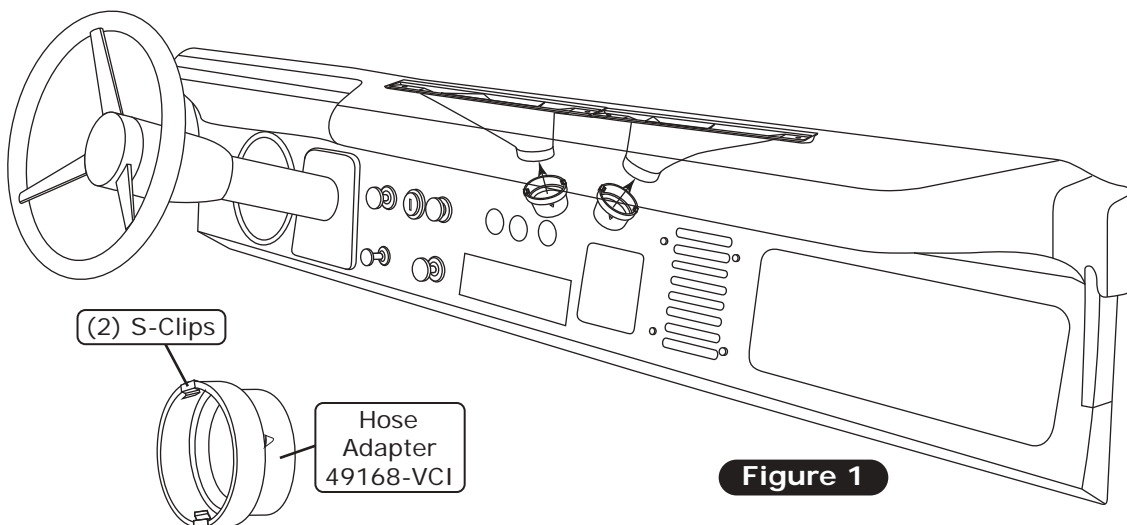


Figure 1

Figure 1a

## Evaporator Bracket, Plenum & Heater Fitting Installation

1. On a workbench, install the plastic plug, evaporator rear bracket and the straight heater fittings with properly lubricated O-rings onto the evaporator module (See Figure 2, Page 9, and Lubricating O-rings, Page 12).
2. Install the evaporator front bracket onto the evaporator module using (2) 1/4-20 x 1" serrated flange bolt and (2) 1/4-20 well nuts, then tighten (See Figure 1, below).
3. Install the dash and defrost plenums using (6) spring clips (See Figure 1, below).
4. Install the floor plenum using (2) spring clips (See Figure 2, Page 9).

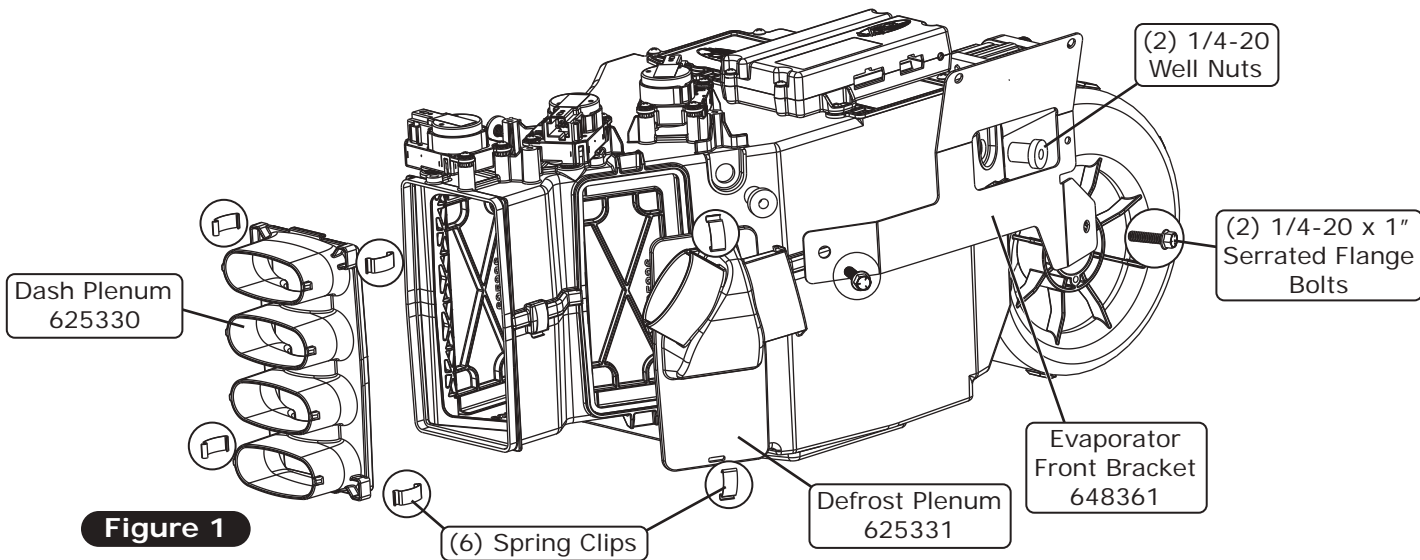
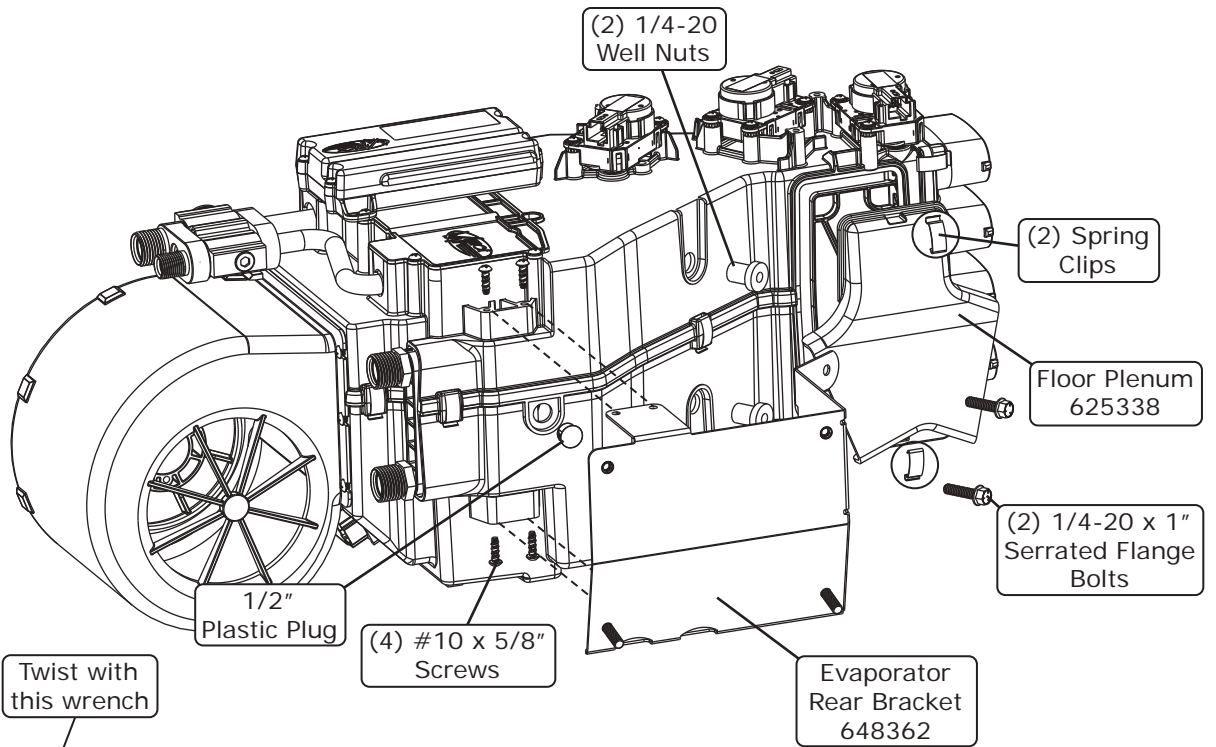
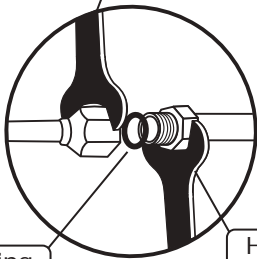


Figure 1

# Evaporator Bracket, Plenum & Heater Fitting Installation (Cont.)



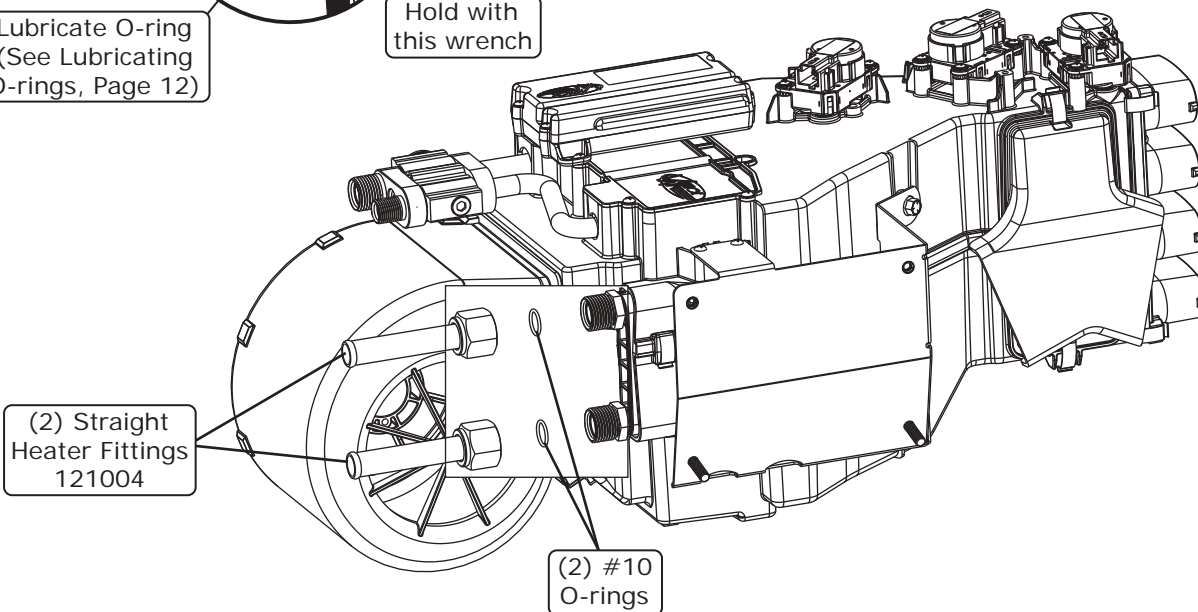
Twist with this wrench



Hold with this wrench

Lubricate O-ring (See Lubricating O-rings, Page 12)

**Figure 2**





www.vintageair.com

## Airbox Modification

1. Drill (4) 1 1/4" holes into the airbox (See Figure 1, below).
2. Install (3) large and (1) 1 1/4" x 1" with 1/2" hole grommets into the airbox (See Figure 2, below).

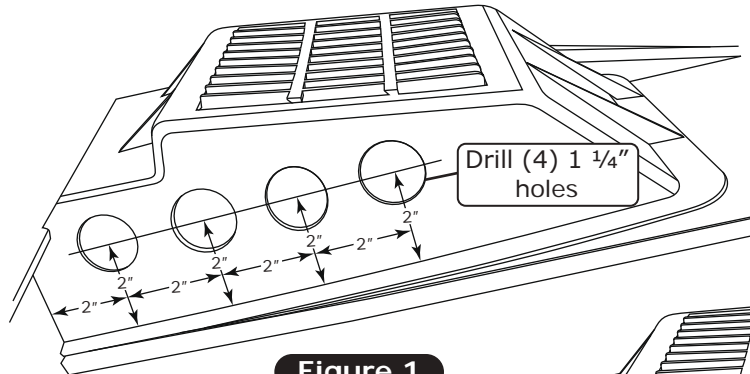


Figure 1

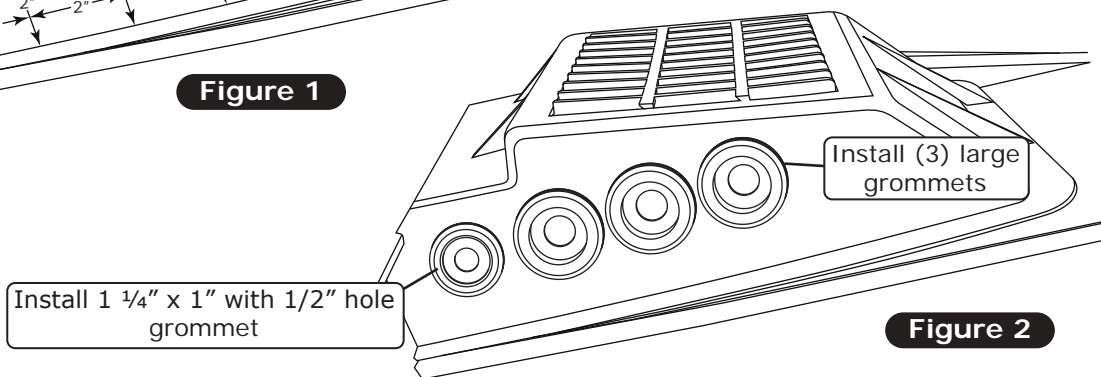


Figure 2

## Kick Panel Cover Installation

1. Install (3) large and (1) 1 1/4" x 1" with 1/2" hole grommets into the kick panel cover (See Figure 1b, below).
2. Route the A/C and heater hoses through the airbox and kick panel cover as shown in Figure 1 and 1a, below.
3. Apply a 1/4" bead of silicone around the mating surface of the kick panel cover as shown in Figure 1b, below.
4. Secure the kick panel cover using (3) OEM screws as shown in Figure 1a, below.

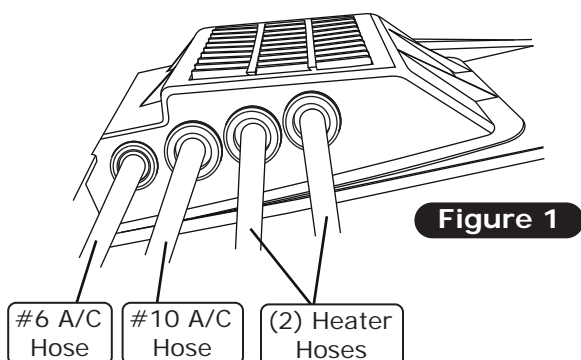


Figure 1

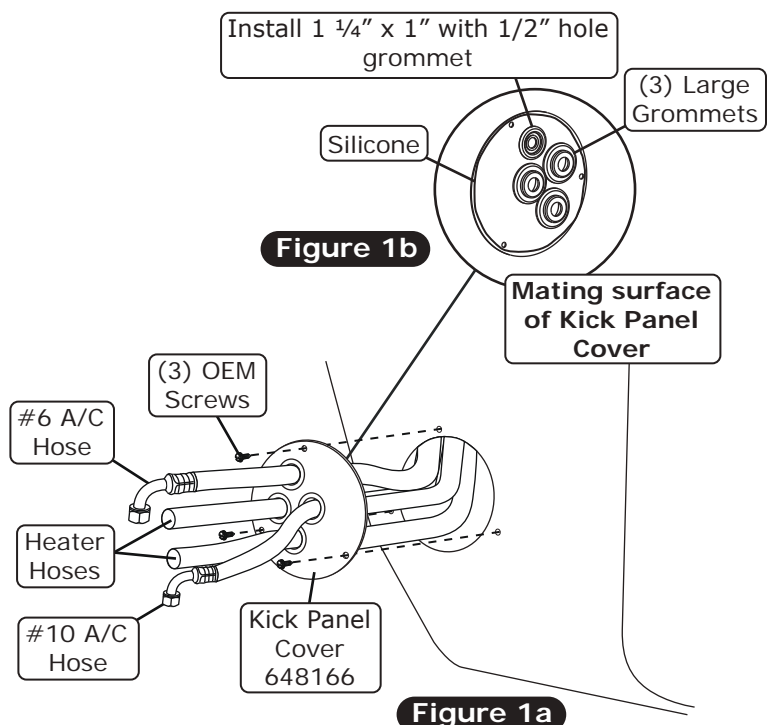


Figure 1a



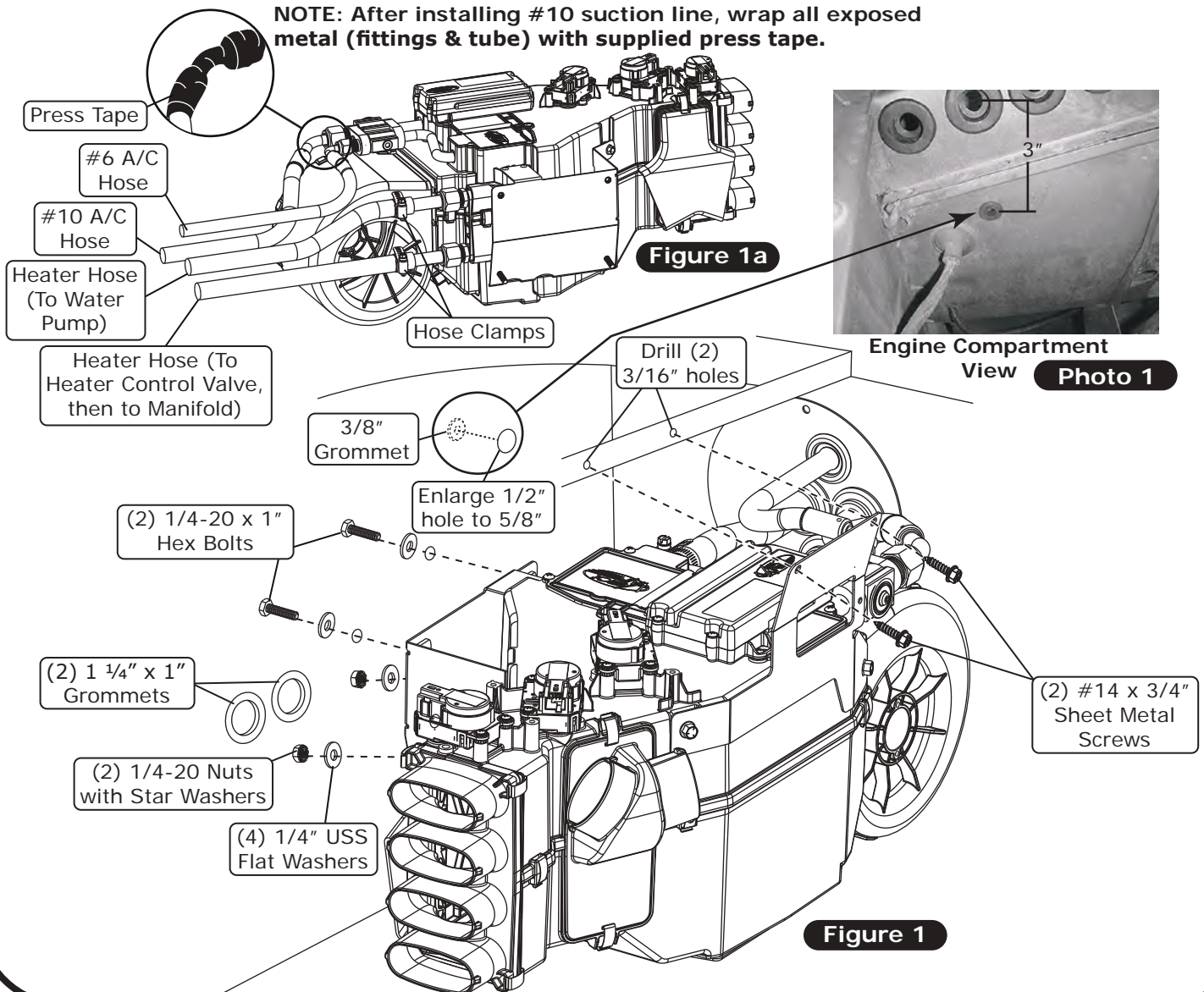
www.vintageair.com

## Evaporator Installation

**NOTE:** To ensure a watertight seal between the passenger compartment and the vehicle exterior, for all bolts passing through the firewall, Vintage Air recommends coating the threads with silicone prior to installation.

1. Install (2) 1 1/4" x 1" grommets into the firewall (See Figure 1, below).
2. Enlarge the 1/2" hole on the firewall to 5/8" and install the 7/8" OD x 3/8" ID grommet as shown in Figure 1 and Photo 1, below. **NOTE: If hole is not present, drill a 5/8" hole 3" below the second grommet from the left (See Photo 1, below).**
3. Install the A/C and heater hoses as shown in Figure 1a, below.
4. Lift evaporator unit up under the dashboard. Secure it loosely to the firewall using (2) 1/4-20 x 1" hex bolts, (4) 1/4" USS flat washers and (2) 1/4-20 nuts with star washers (See Figure 1, below). **NOTE: To ensure proper drainage, it is very important that the evaporator is level, both left-right and fore-aft. Check for level on the flat portions of the case around the drain.**
5. Using front evaporator bracket as a guide, mark and drill (2) 3/16" holes into the cowl (See Figure 1, below).
6. Using (2) #14 x 3/4" sheet metal screws, secure the front evaporator mounting bracket to the inner cowl (See Figure 1, below).
7. Verify that evaporator unit is level and square to the dash; then tighten all mounting bolts. **NOTE: Tighten the bolt on the firewall first. Then tighten the front mounting bracket.**

**NOTE:** After installing #10 suction line, wrap all exposed metal (fittings & tube) with supplied press tape.

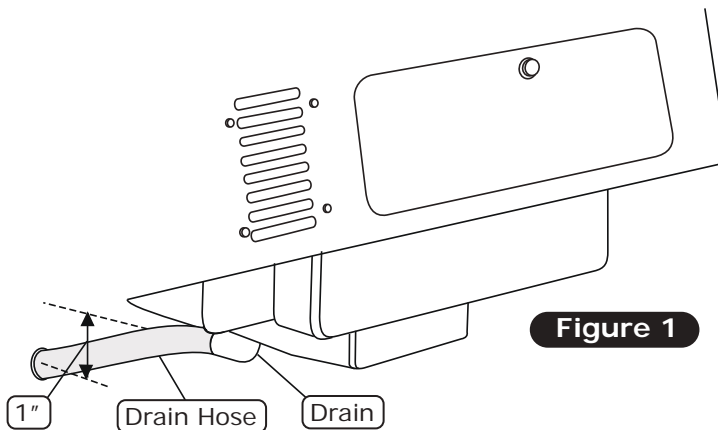




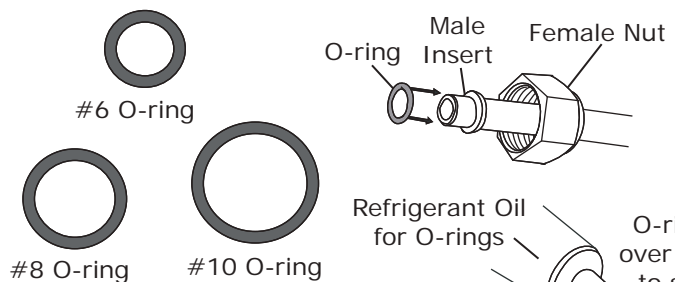
www.vintageair.com

## Drain Hose Installation

1. Locate the evaporator drain on the bottom of the evaporator module.
2. In line with the drain, lightly make a mark on the firewall. Measure one inch down, then drill a 5/8" hole through the firewall (See Figure 1, below). **NOTE: To ensure a tight fit, do not enlarge the hole to more than 5/8".**
3. Install the drain hose onto the bottom of the evaporator module, then route it through the firewall (See Figure 1, below).



## Lubricating O-rings

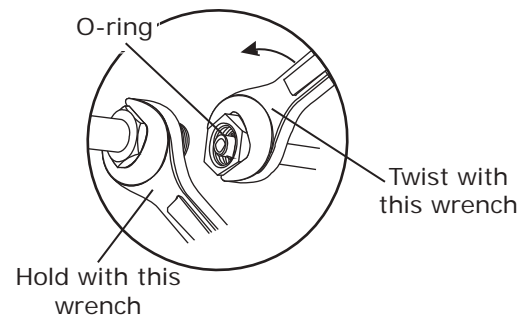


For a proper seal of fittings: Install supplied O-rings as shown and lubricate with refrigerant oil.

Refrigerant Oil for O-rings

O-ring installs over male insert to swaged lip

**NOTE: Standard torque specifications:**  
#6: 11 to 13 ft-lb.  
#8: 15 to 20 ft-lb.  
#10: 21 to 27 ft-lb.



## A/C Hose Installation

### Standard Hose Kit:

1. Locate the #8 compressor A/C hose. Lubricate (2) #8 O-rings (See Lubricating O-rings, above) and connect the 135° female fitting with service port to the #8 discharge port on the compressor. Then, route the 90° female fitting to the #8 condenser hardline (See Figure 1, Page 13). Tighten each fitting connection as shown in Lubricating O-rings, above.
2. Locate the #10 compressor A/C hose. Lubricate (2) #10 O-rings (See Lubricating O-rings, above) and connect the #10 135° female fitting with service port to the #10 suction port on the compressor. Then, route the 45° female fitting to the #10 fitting on the evaporator (See Figure 1a, Page 11, and Figure 1, Page 13). Tighten each fitting connection as shown in Lubricating O-rings, above.
3. Locate the #6 evaporator A/C hose. Lubricate (2) #6 O-rings (See Lubricating O-rings, above) and connect the 90° female fitting to the drier. Then, route the 90° female fitting to the #6 fitting on the evaporator (See Figure 1a, Page 11, and Figure 1, Page 13). Tighten each fitting connection as shown in Lubricating O-rings, above.

### Modified Hose Kit:

1. Refer to separate instructions included with modified hose kit.



www.vintageair.com

## Heater Hose & Heater Control Valve Installation

1. Route a piece of heater hose (not supplied) from the water pump to the top heater fitting of the heater core as shown in Figure 1a, Page 11, and Figure 1, below. Secure using hose clamps.
2. Route a piece of heater hose (not supplied) from the intake to the bottom heater fitting of the heater core as shown in Figure 1a, Page 11, and Figure 1, below. **NOTE: Install the heater control valve in line with the intake manifold (pressure side) heater hose, and secure using hose clamps as shown in Figure 1, below. Also note proper flow direction.**

### A/C & Heater Hose Routing

**NOTE:** Vintage Air Systems use 5/8" heater connections. On engines equipped with 3/4" hose nipples, these will need to be removed and replaced with 5/8" nipples (not supplied). For water pumps with a cast-in 3/4" heater outlet, a 3/4" x 5/8" reducer fitting in the heater hose (not supplied) or molded hose (Vintage Air Part # 099010) will need to be installed.

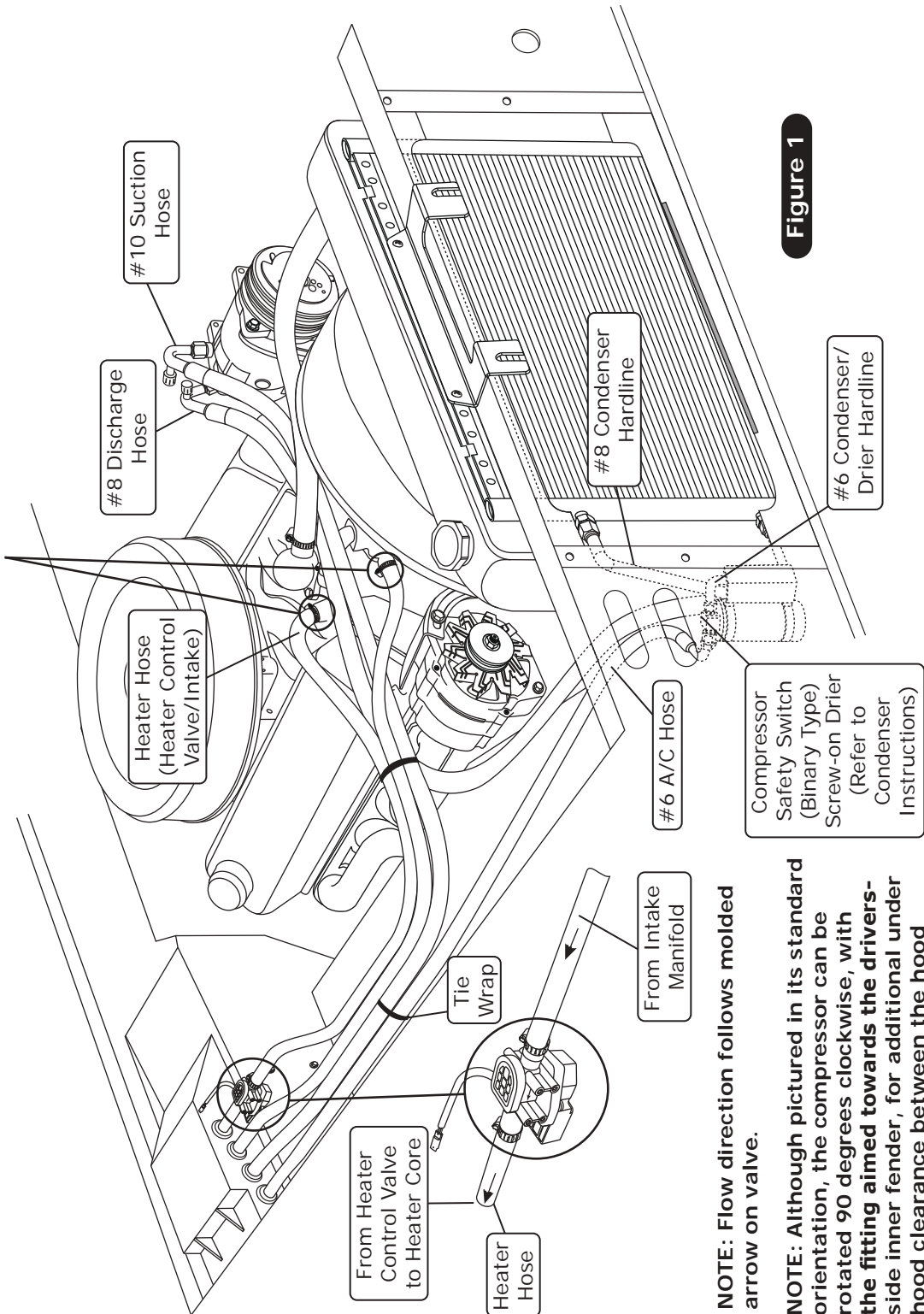


Figure 1

**NOTE:** Flow direction follows molded arrow on valve.

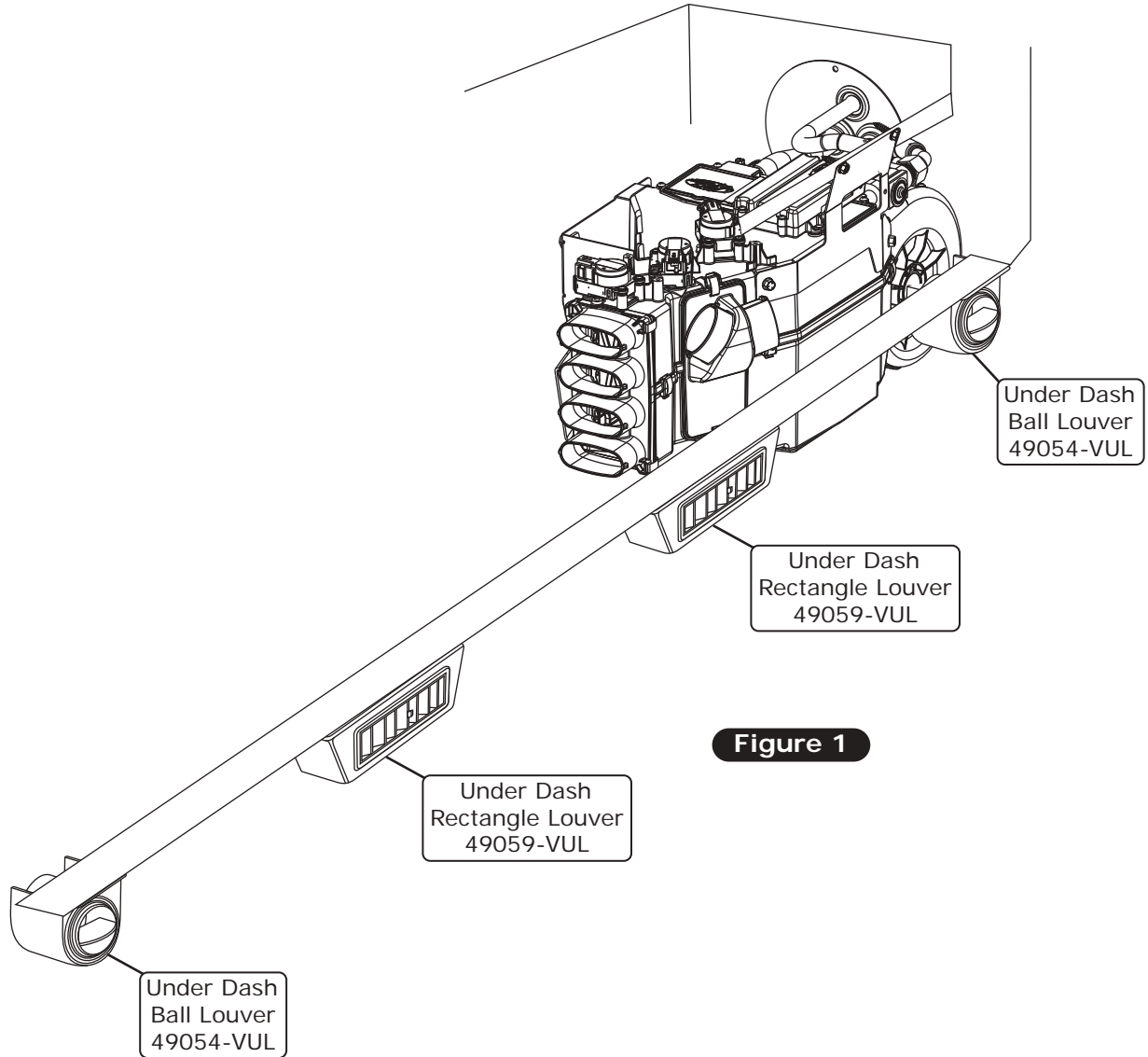
**NOTE:** Although pictured in its standard orientation, the compressor can be rotated 90 degrees clockwise, with the fitting aimed towards the driver-side inner fender, for additional under hood clearance between the hood underside/braces and the A/C lines/ fittings.



www.vintageair.com

## Under Dash Louver Installation

1. Install louvers under the dash using (8) #8 x 1/2" pan head screws (See Figure 1, below).



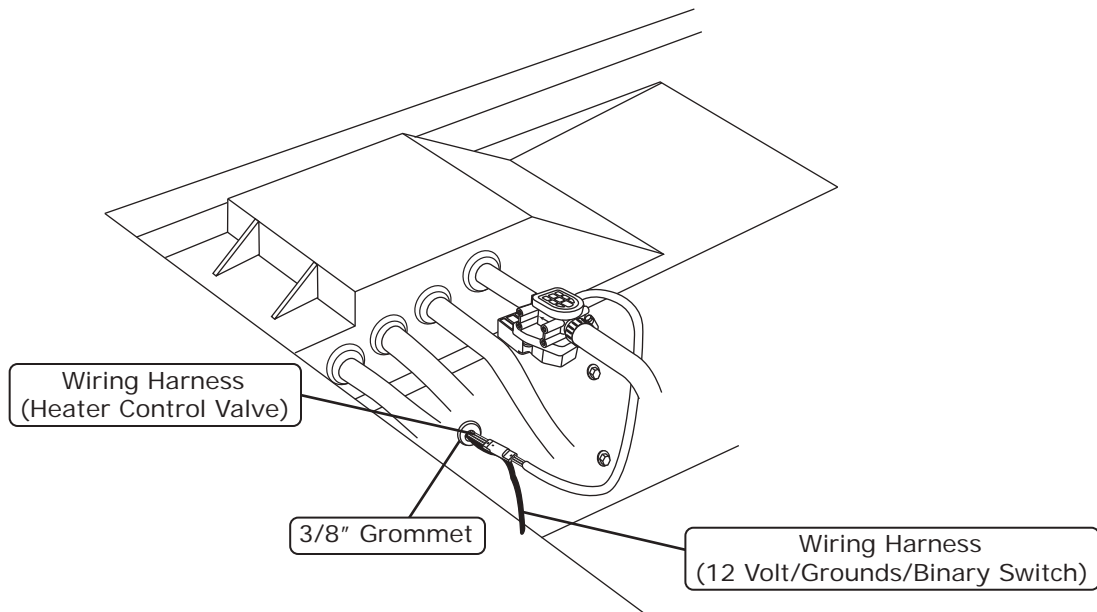
**Figure 1**



www.vintageair.com

## Final Steps: Completing the Install

1. Install the duct hoses as shown in Figure 1, Page 17.
2. Route the A/C wires (12 volt/grounds/binary switch/heater valve) through 3/8" grommet as shown in Figure 1, below.
3. Install the control panel assembly. Refer to the control panel instructions.
4. Plug the wiring harnesses into the ECU module on the sub case as shown in Figure 1, Page 17. Wire according to wiring diagrams on Pages 18 and 19.
5. Fill radiator with at least a 50/50 mixture of approved antifreeze and distilled water. It is the owner's responsibility to keep the freeze protection at the proper level for the climate in which the vehicle is operated. Failure to follow antifreeze recommendations will cause heater core to corrode prematurely and possibly burst in A/C mode and/or freezing weather, voiding your warranty.
6. Double check all fittings, brackets and belts for tightness.
7. Vintage Air recommends that all A/C systems be serviced by a licensed automotive A/C technician.
8. Evacuate the system for a minimum of 45 minutes prior to charging, and perform a leak check prior to servicing.
9. Charge the system to the capacities stated on Page 4 of this instruction manual.



**Figure 1**



www.vintageair.com

# Final Steps: Installation Check

Installation Check	
ITEM TO CHECK	Procedure
<input type="checkbox"/>	<p>ECU</p> <p>If no blinking is observed after 1 minute of turning the ignition on, go to the next check.</p> <p>If repetitive blinking is observed, go to the <b>Advanced Diagnostics</b> Section to diagnose.</p>
<input type="checkbox"/>	<p>Blower speed control</p> <p>Set the blower speed control to <b>OFF</b>, <u>confirm that the blower is off</u>.</p> <p>Position the blower speed control to <b>LOW</b> then <b>MEDIUM</b> and then <b>HIGH</b>. <u>At each setting confirm that the blower speed increases</u>, do this by feeling for the amount of air coming from the unit and hearing the blower speed increase.</p>
<input type="checkbox"/>	<p>Mode control</p> <p>Set the <b>MODE</b> control to the <b>DASH</b> position. <u>Confirm that air is being blown at the dash vents</u>.</p> <p>Set the <b>MODE</b> control to the <b>FLOOR</b> position. <u>Confirm that air is being blown at the floor vents</u>.</p> <p>Set the <b>MODE</b> control to the <b>DEFROST</b> position. <u>Confirm that all air is being blown from the defrost vents</u></p> <p><b>If heater lines are installed:</b></p> <p>Set the <b>MODE</b> control to the <b>DASH</b> position. Set the <b>TEMP</b> control to the <b>MAX HEAT</b> position. <u>Confirm that HOT air is coming from the dash vents</u>.</p>
<input type="checkbox"/>	<p>Temperature control</p> <p><b>If system is charged:</b></p> <p>Set the <b>TEMP</b> control to the <b>MAX COOL</b> position. <u>Confirm that COLD air is coming from the dash vents</u>.</p> <p>Also <u>confirm that the compressor "clicks" on</u> when adjusting the <b>TEMP</b> control from the <b>MAX HEAT</b> position to the <b>MAX COOL</b> position.</p>
<input type="checkbox"/>	<p>AC Indicator (If applicable)</p> <p>While the <b>MODE</b> control is set to the <b>DASH</b> position, and the <b>TEMP</b> control is set to the <b>MAX COOL/MIN HEAT</b> position, <u>confirm that the blue AC Indicator light is on</u>.</p>
<input type="checkbox"/>	<p>Backlight (If applicable)</p> <p>If your control panel has backlight capabilities and has been wired, turn the dash lamp on and <u>confirm that the AC panel's legend is lit</u>.</p>
<input type="checkbox"/>	<p>Fittings</p> <p>Verify AC and Heater fittings are all tight.</p>



www.vintageair.com

## ECU, Control Panel & Duct Hose Routing

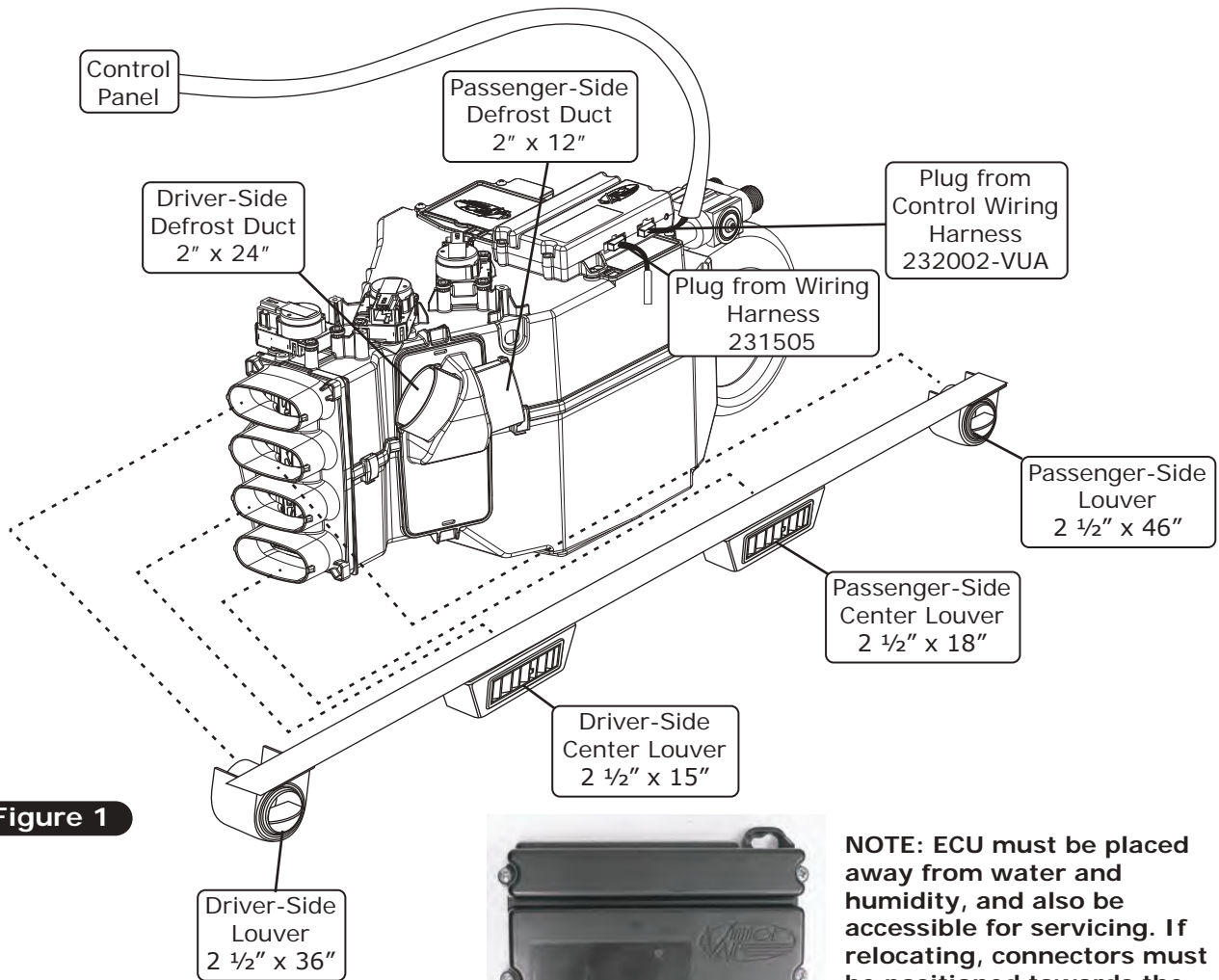
**NOTE:** For the system to function optimally, the duct hoses must be routed as directly as possible, taking care to avoid kinks, sharp bends and unnecessary length. Vintage Air supplies duct hoses in continuous lengths that will need to be cut to size depending on application. Before cutting, familiarize yourself with the installation instructions and verify the routing will work with your application. For custom hose routing, additional hose may be needed and can be purchased from Vintage Air.

1. Stretch the duct hose until there is no slack, measure, mark and cut hose to size (See Photo 1, below).

Stretch, measure, mark and cut hose to size



**Photo 1**



**Figure 1**



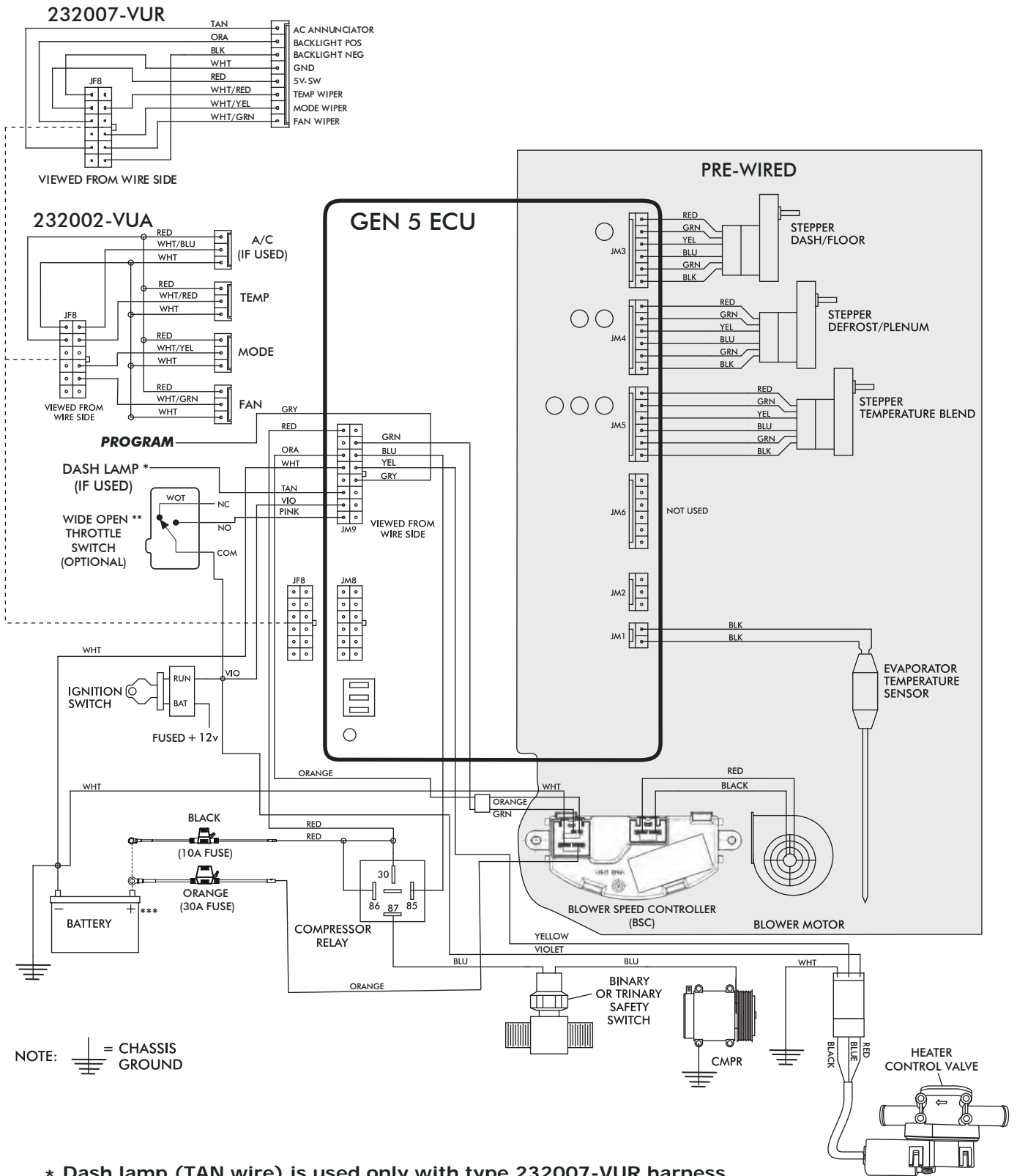
**NOTE:** ECU must be placed away from water and humidity, and also be accessible for servicing. If relocating, connectors must be positioned towards the bottom.

Position connectors towards bottom



www.vintageair.com

# Gen 5 Wiring Diagram



NOTE: = CHASSIS GROUND

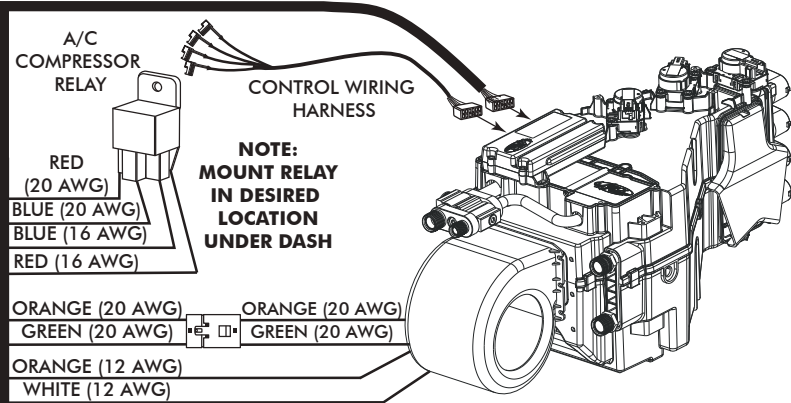
- \* Dash lamp (TAN wire) is used only with type 232007-VUR harness.
- \*\* Wide open throttle switch contacts close only at full throttle, which disables A/C compressor.
- \*\*\* Install fuse assemblies at or as near to the battery as possible.



www.vintageair.com

# Gen 5 Wiring Instructions

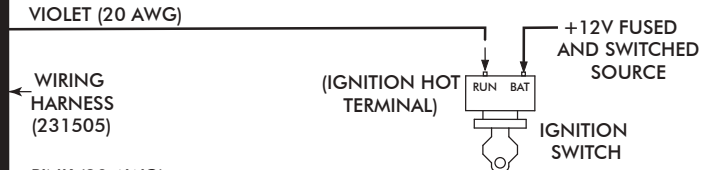
WIRING HARNESS (231505) ↓



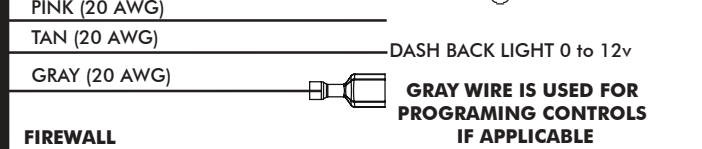
**Ignition Switch:**  
Using provided butt splice (PN 226004), connect the 20 AWG violet wire to a 5A fused and switched 12V source such as Key On.

**Wide Open Throttle Switch (Optional):**  
If a wide open throttle switch is required, connect the 20 AWG pink wire to a normally open switch that, when closed, connects a fused and switched 12V source to the pink wire. See Gen 5 wiring diagram for an example.

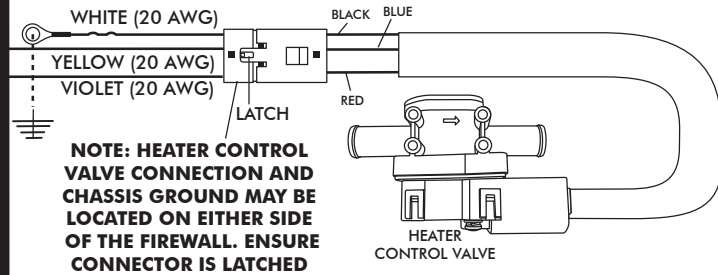
**Dash Light (Optional):**  
If using a Vintage Air control panel with back light, connect the 20 AWG tan wire to the vehicle's dash back light 0-12V using provided butt splice (PN 226004).



WIRING HARNESS (232020) →



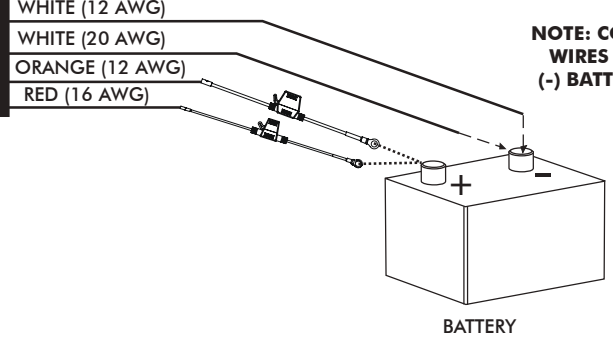
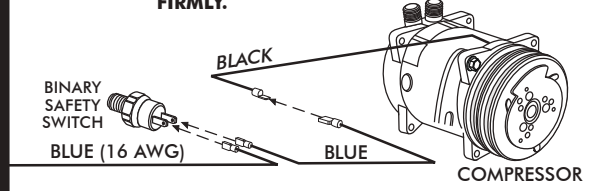
FIREWALL



**Heater Control Valve:**  
Connect the Violet/Yellow/White twisted branch with 3 position connector into the heater control valve connector. Ensure that the mating latch is fully seated.

**Binary/Trinary & Compressor:**  
*Binary Switch:* Terminate provided insulated female terminal (PN 23172-VUW) to the blue 16 AWG wire. Connect as shown.  
*Trinary Switch:* Connect according to trinary switch wiring diagram.

WIRING HARNESS (232020) →



**Battery Connections:**  
*ECU Ground:* Terminate provided ring terminal (PN 226110) to 20 AWG white wire from the 231505 wire assembly and install at battery.  
*ECU PWR:* Terminate provided fuse assembly with black leads (PN 233012) to the 16 AWG red wire from the 231505 wire assembly. Install provided 10A Red Mini Fuse (PN 226118). Install at battery.  
*Blower Speed Controller (BSC) Ground:* Terminate provided ring terminal (PN 226111) to 12 AWG white wire from the 232020 wire assembly and install at battery.  
*Blower Speed Controller (BSC) PWR:* Terminate provided fuse assembly with orange leads (PN 233008) to the 12 AWG orange wire from the 232020 wire assembly. Install provided 30A Green ATO/ATC Fuse (PN 226125). Install at battery.

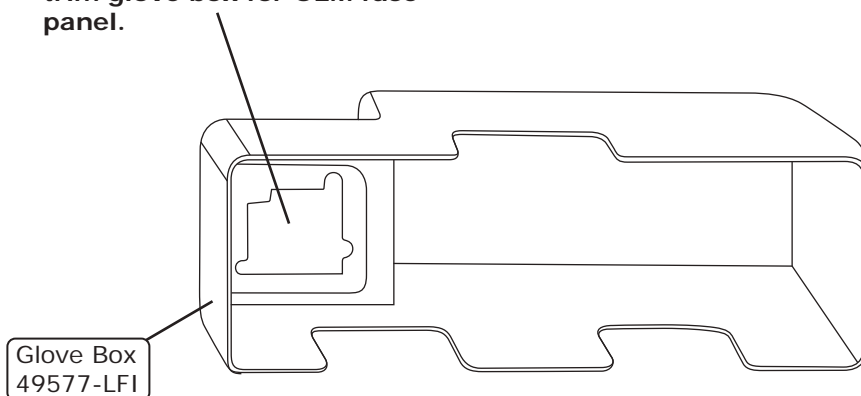


www.vintageair.com

## Glove Box Installation

1. Trim the driver side of the new glove box insert for the OEM fuse panel (See Figure 1, below). **NOTE: Applies to 1972-77 Bronco only.**
2. Install the glove box into the opening. **NOTE: Carefully squeeze the glove box to fit into the opening in the dash. Then, insert the glove box and allow it to spring back into shape.** Install the fuse panel using the OEM screws. Secure the glove box with the OEM screws.
3. Install the glove box door using OEM screws.

**NOTE: On 1972-77 Bronco only, trim glove box for OEM fuse panel.**



## Additional Info: Please Read

- This kit is sent with additional hardware that are not used. The additional hardware consists of (4) 1/2" plastic plugs and (1) #10 x 1/2" sheet metal screw.



www.vintageair.com

# Quality Crimp Guideline

Acceptable strip length  
(Some copper visible)

Crimped area is centered  
on each side of splice

Bad strip length  
(Too much copper visible)  
Visible copper should be  
just enough to ensure  
clearance between splice  
area and wire insulation

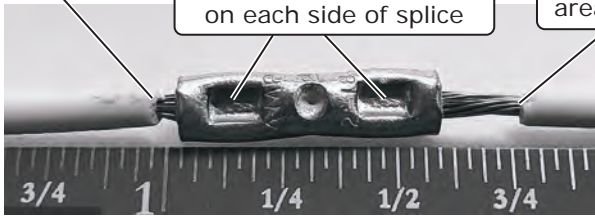


Photo 1

A good crimp requires  
seam of butt splice to be  
opposite of crimp die tooth

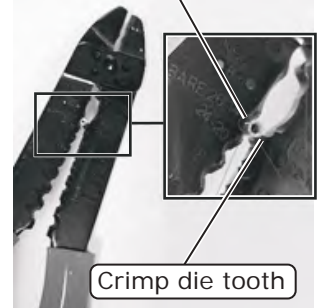


Photo 2

## Good Ring Terminal Crimp    Bad Ring Terminal Crimp



Photo 3

Crimped  
area is  
opposite  
of seam

Crimp  
area is  
centered  
on barrel

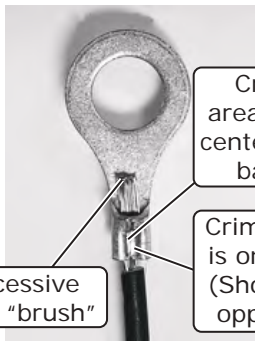


Photo 4

Crimp  
area is not  
centered on  
barrel

Excessive  
wire "brush"

Crimp  
area is  
on seam  
(Should be  
opposite)



Photo 5



Photo 5a

Use a ratcheting crimp tool  
for insulated barrel terminals  
when crimping the provided  
female insulated terminal.  
Ensure terminal is inserted in  
appropriate position before  
crimping.



www.vintageair.com

## Operation of Controls

On Gen IV or Gen 5 systems with three lever/knob controls, the temperature control toggles between heat and A/C operations. To activate A/C, move the temperature lever/knob all the way to cold and then back it off to the desired vent temperature. For heat operation, move the temperature lever/knob all the way to hot and then adjust to the desired vent temperature. The blower will momentarily change speed, each time you toggle in and out of heat and A/C operations, to indicate the change.

### Blower Speed

This lever/knob controls blower speed, from OFF to HI.

### Mode Control

This lever/knob controls the mode positions, from DASH to FLOOR to DEFROST, with a blend in between.

### Temperature Control

This lever/knob controls the temperature, from HOT to COLD.

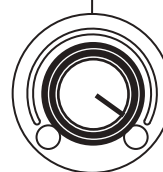
Blower Speed



Mode Control



Temperature Control



## A/C Operation

### Blower Speed

Adjust to desired speed.

### Mode Control

Adjust to desired mode position (DASH position recommended).

### Temperature Control

For A/C operation, adjust to coldest position to engage compressor (adjust between HOT and COLD to reach desired temperature).



## Heat Operation

### Blower Speed

Adjust to desired speed.

### Mode Control

Adjust to desired mode position (FLOOR position recommended).

### Temperature Control

For maximum heating, adjust to hottest position (adjust between HOT and COLD to reach desired temperature).



## Defrost/De-fog Operation

### Blower Speed

Adjust to desired speed.

### Temperature Control

Adjust to desired temperature.

### Mode Control

Adjust to DEFROST position for maximum defrost, or between FLOOR and DEFROST positions for a bi-level blend (Compressor is automatically engaged).





www.vintageair.com

# Troubleshooting Guide

This printed troubleshooting guide is our basic guide that covers common installation problems. To see our advanced diagnostics and troubleshooting guide, please refer to the following page for instructions on how to download the complete guide.

**WARNING: While troubleshooting the system, never probe connector terminals from the front mating side, only back probe.**

**WARNING: While troubleshooting the system, never use automotive check lights.**

Symptom	Condition	Checks	Actions	Notes
1. Blower stays on high speed with ignition on.	No other functions work.	Check for damaged pins or wires in the control panel wire assembly and mating header at ECU.	If found damaged, replace wire assembly or ECU.	If fuse continues to blow, there is a serious problem in the wiring. Check all wiring and ensure the wire is not damaged and shorting out along its route.
	All other functions work.	Check for a bad ECU GND. Check for damaged pins or wires in the control panel wire assembly and mating header at ECU. Check if Blower power fuse is blown. Check for a bad ECU GND.	If found damaged, replace wire assembly or ECU. Replace fuse. Repair connection.	
2. Compressor will not turn on (All other functions work).	System is not charged.	System must be charged for compressor to engage.	Charge system.	<b>Danger: Never bypass safety switch with engine running. Serious injury can result.</b>
	System is charged.	Check for faulty A/C potentiometer or associated wiring (not applicable to 3-pot controls).	Check continuity to ground on white control head wire. Check for 5V on red control head wire.	To check for proper pot function, check voltage at white/red wire. Voltage should be between 0V and 5V, and will vary with pot lever position.
		Check for disconnected or faulty thermistor.	Check 2-pin connector at ECU housing.	Disconnected or faulty thermistor will cause compressor to be disabled.
3. Compressor will not turn off (All other functions work).	Compressor will not turn off (All other functions work).	Check for faulty A/C potentiometer or associated wiring.	Repair or replace pot/control wiring.	Red wire at A/C pot should have approximately 5V with ignition on. White wire will have continuity to chassis ground. White/Red wire should vary between 0V and 5V when lever is moved up or down.
		Check for faulty A/C relay.	Replace relay.	



www.vintageair.com

# Troubleshooting Guide (Cont.)

Symptom	Condition	Checks	Actions	Notes
4. System will not turn on, or runs intermittently.	Works when engine is not running; shuts off when engine is started	Noise interference from either ignition or alternator.	Install capacitors on ignition coil and alternator. Ensure good ground at all points. Relocate coil and associated wiring away from ECU and ECU wiring. Check for burned or loose plug wires.	Ignition noise (radiated or conducted) will cause the system to shut down due to high voltage spikes. If this is suspected, check with a quality oscilloscope. Spikes greater than 16V will shut down the ECU. Install a radio capacitor at the positive post of the ignition coil (see radio capacitor installation bulletin). A faulty alternator or worn out battery can also result in this condition.
	Will not turn on under any conditions.	Verify connections on power lead, ignition lead, and both white ground wires. Verify battery voltage is greater than 10 volts and less than 16 while engine is running.	Check for power at ECU, and confirm ignition is being applied to ECU properly. Verify proper meter function by checking the condition of a known good battery.	
5. Loss of mode door function.	No mode change at all.	Check for damaged mode switch or potentiometer and associated wiring.		
	Blower turns on and off rapidly.	Battery voltage is at least 12V. Battery voltage is less than 12V.	Ensure all system grounds and power connections are clean and tight. Charge battery.	System shuts off blower at 10V. Poor connections or weak battery can cause shutdown at up to 11V.
7. Erratic functions of blower, mode, temp, etc.		Check for damaged switch or pot and associated wiring.	Repair or replace.	

## Advanced Diagnostics and Troubleshooting Guide

If after referencing the Troubleshooting Guide, the issue is not resolved, move to The Advanced Diagnostics and Troubleshooting Guide that covers the following:

- ECU Diagnostics Codes
- 1. ECU Blink Sequence
- 2. Firmware Version Number
- 3. ECU Model Number
- 4. ECU Start-Up Blink Sequence
- 5. Diagnostic Codes
- Complete Advanced Troubleshooting Guidelines

Access the latest version of the Advanced Diagnostics and Troubleshooting Guide by scanning the following QR code on your mobile device:



You can also access the guide by typing the following address into your web browser:

[https://www.vintageair.com/instructions\\_pdf/905000.pdf](https://www.vintageair.com/instructions_pdf/905000.pdf)





www.vintageair.com

## Packing List: Evaporator Kit (751702)

No.	Qty.	Part No.	Description
1.	1	765200	Gen 5 Super Magnum Module
2.	1	791702	Accessory Kit

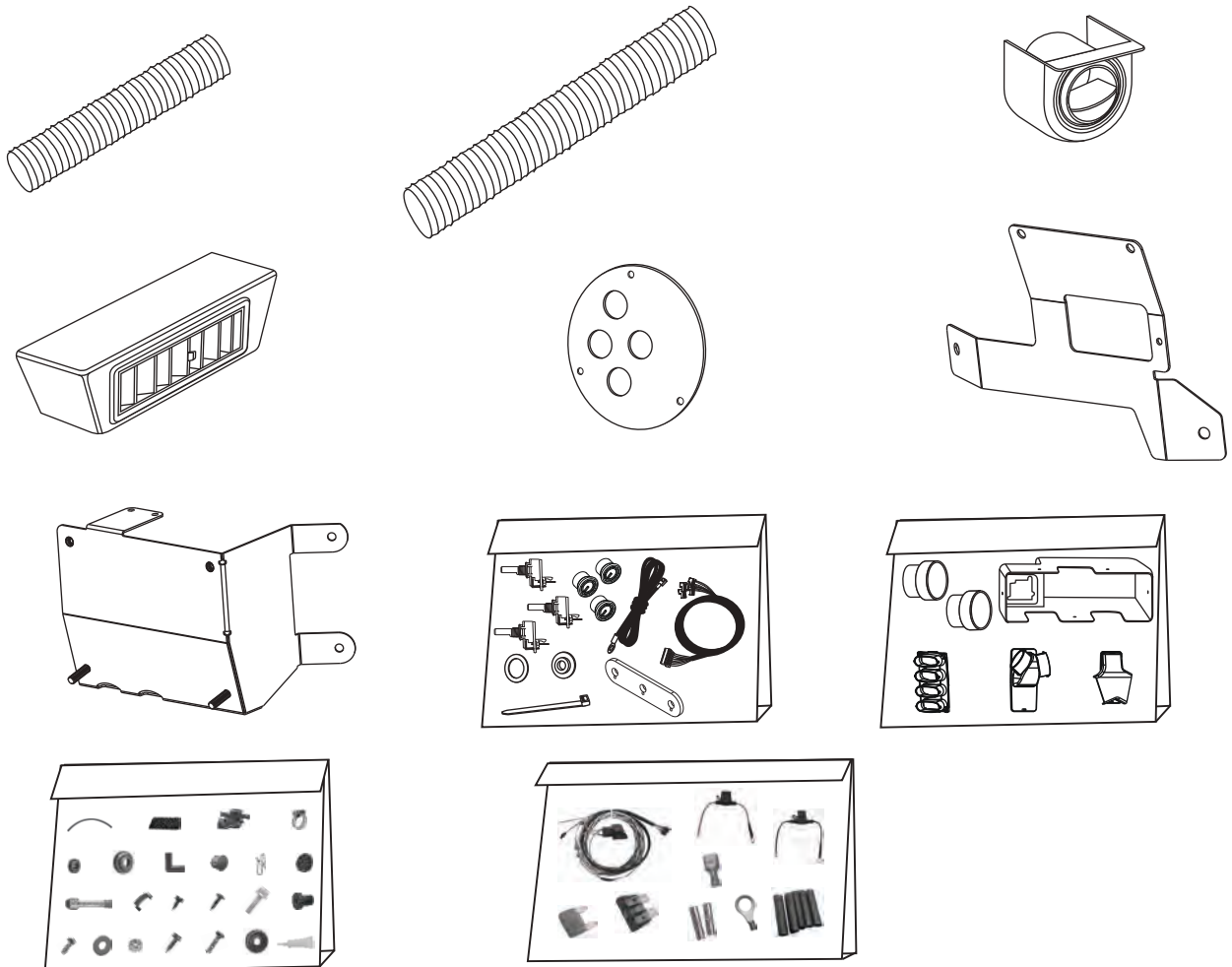
Checked By: \_\_\_\_\_  
 Packed By: \_\_\_\_\_  
 Date: \_\_\_\_\_

1



Gen 5 Super Magnum  
Module  
765200

2



Accessory Kit  
791702

**NOTE: Images may not depict actual parts and quantities.  
 Refer to packing list for actual parts and quantities.**