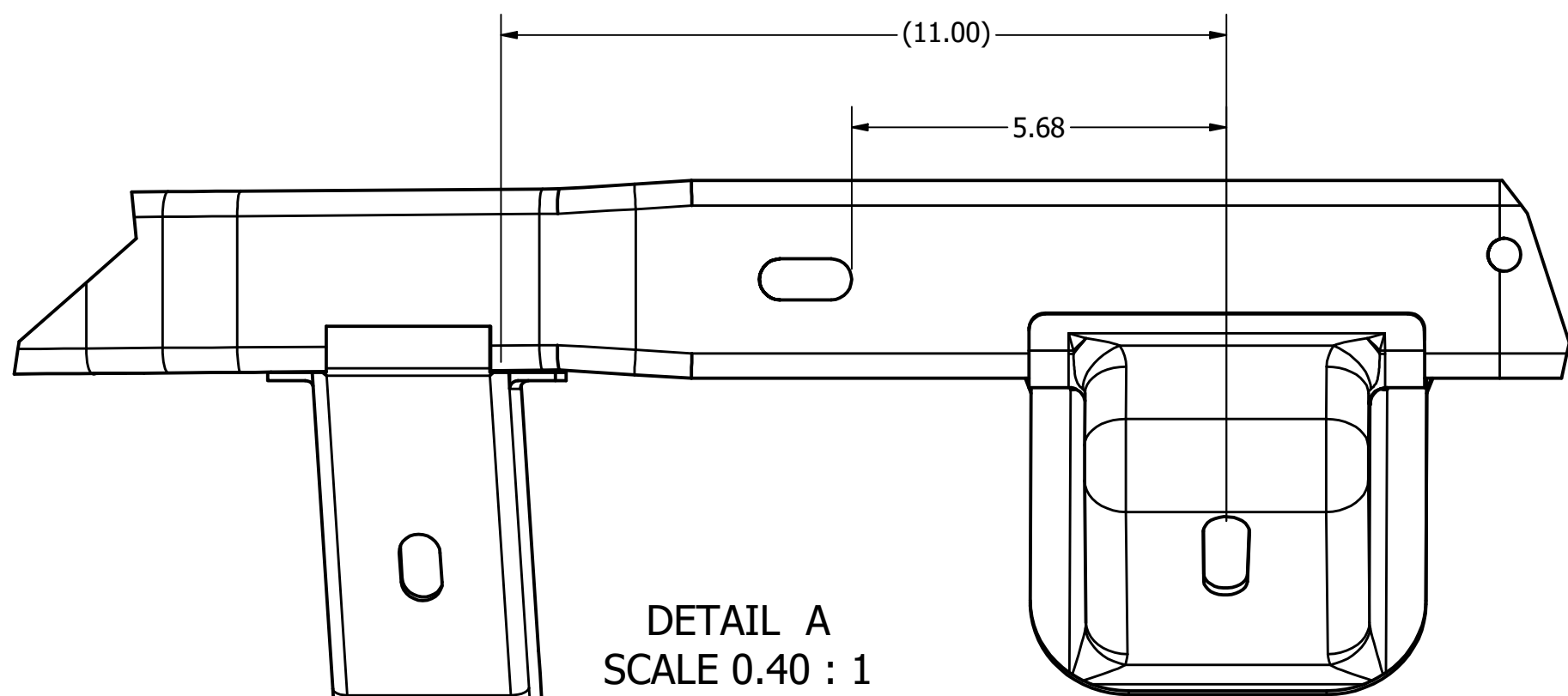
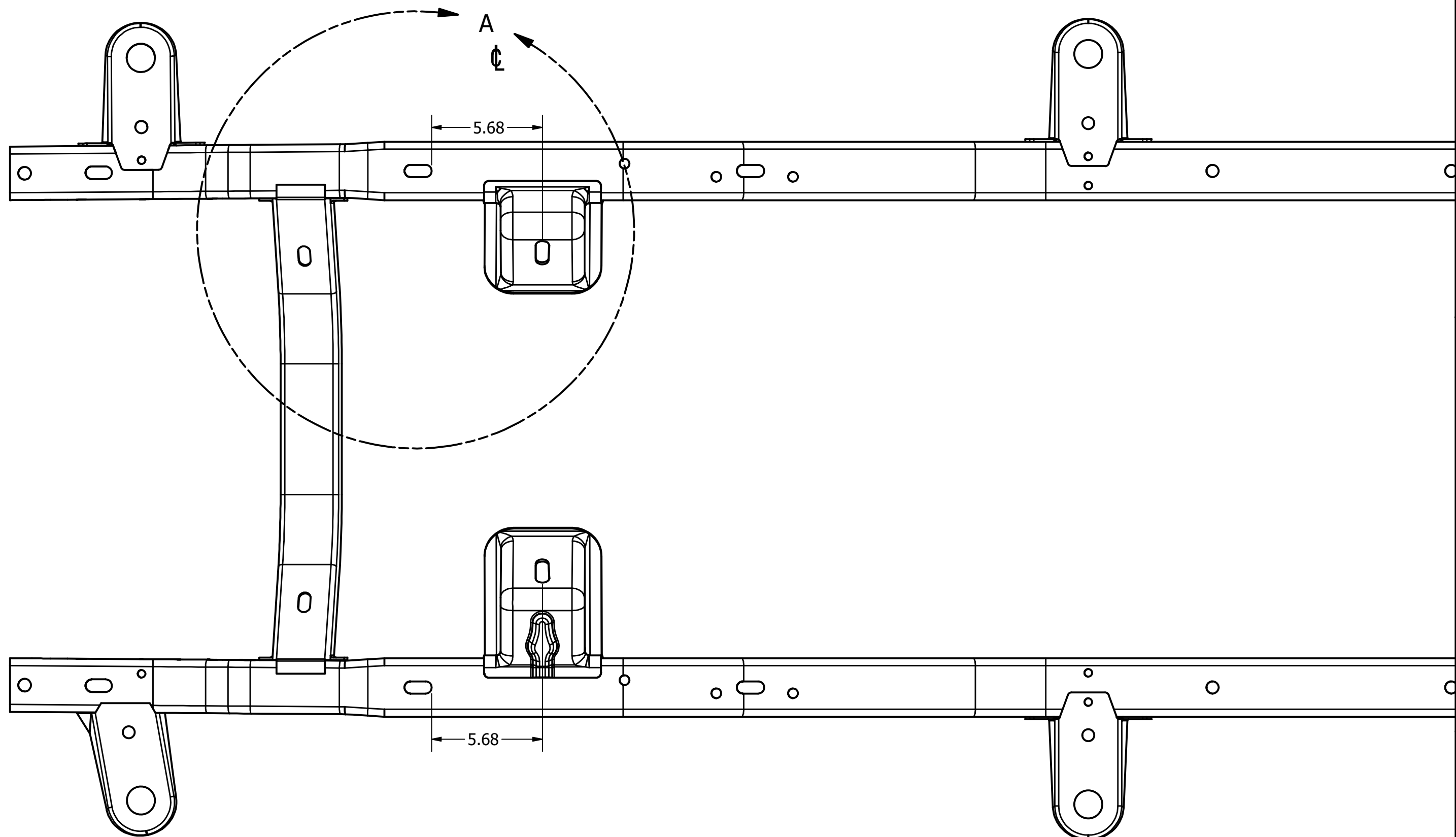


REVISION HISTORY				
ZONE	REV	DESCRIPTION	DATE	APPROVED
		initial release	12/15/22	JKM



DETAIL A  
SCALE 0.40 : 1



NEXT ASM.	USED ON

THIS DOCUMENT CONTAINS CONFIDENTIAL PROPRIETARY INFORMATION AND IS THE PROPERTY OF **TOMS OFFROAD**. NO USE, DISCLOSURE OR REPRODUCTION IS GRANTED TO ANY THIRD PARTIES WITHOUT THE EXPLICIT WRITTEN PERMISSION OF **TOMS OFFROAD**.

TOLERANCES UNLESS OTHERWISE SPECIFIED:

ANGULAR: ±0.5			
INCH		MM	
.X	±0.1	X	±2.5
.XX	±0.01	.X	±0.25
.XXX	±0.005	.XX	±0.13



DRAWN  
JM  
APPROVED

9/7/2022

MATERIAL/ FINISH /

TITLE

Motor Tower Placment.dwg

SIZE

C

DWG NO

Assembly1

REV

SCALE

1 / 5

SHEET 1 OF 2