

# FENDER FLARE DELETE KIT, BRONCO



## Components

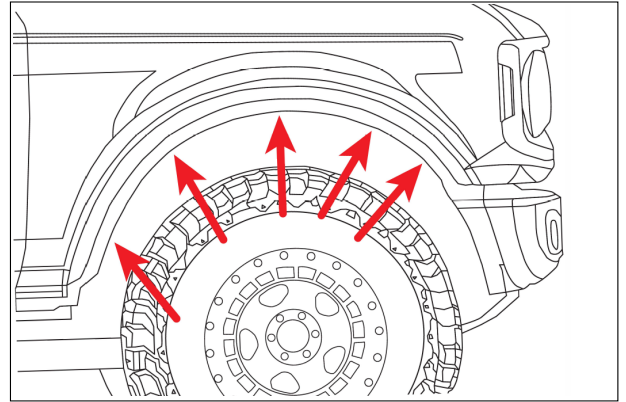
- |                                      |                                  |
|--------------------------------------|----------------------------------|
| 1. Left Rear Fender Delete.....(1)   | 5.Short Allen Head Bolt.....(20) |
| 2. Right Rear Fender Delete.....(1)  | 6.Nylock Nut.....(20)            |
| 3. Left Front Fender Delete.....(1)  | 7.Anodized Washer.....(40)       |
| 4. Right Front Fender Delete.....(1) | 8.Alcohol Pads.....(2)           |

## FENDER FLARE DELETE KIT, BRONCO

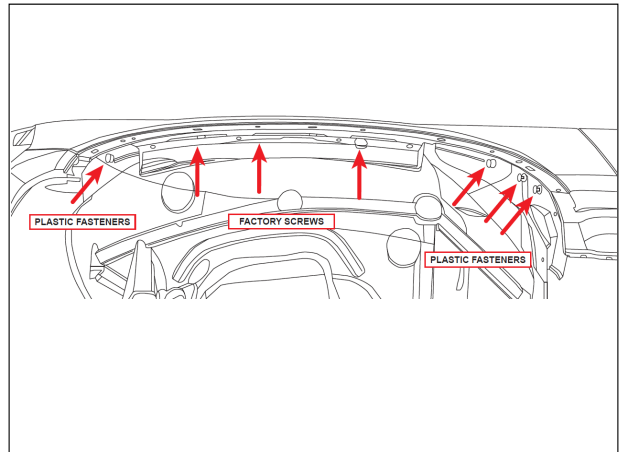
Pg. 2/5

### 1. Front Flare Installation - Passenger's Side

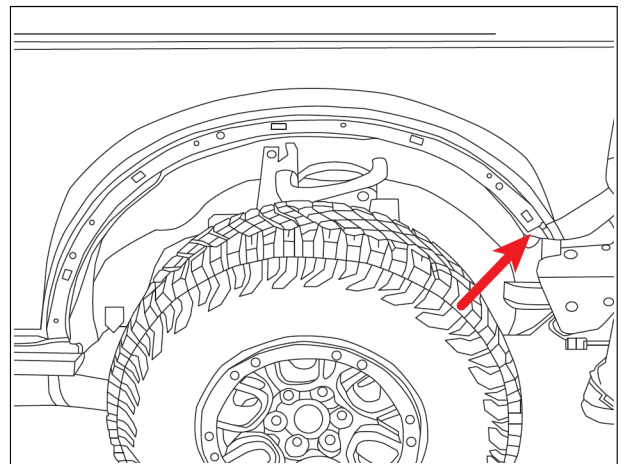
Twist (5) quarter turn fasteners. Firmly pull on flare to remove.



### 2. Remove and retain (4) factory plastic fasteners and (3) factory screws to access backside of fender.

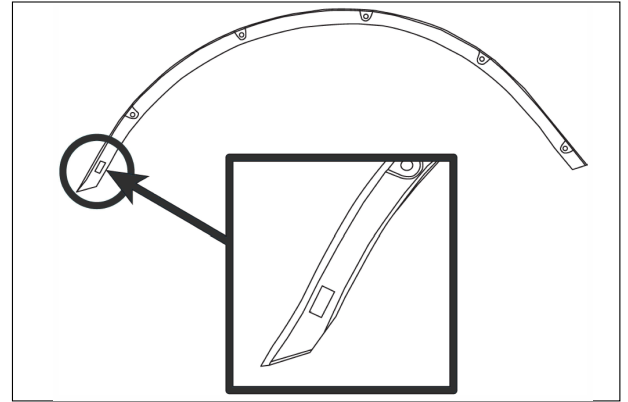


### 3. Clean the area indicated with an alcohol pad.

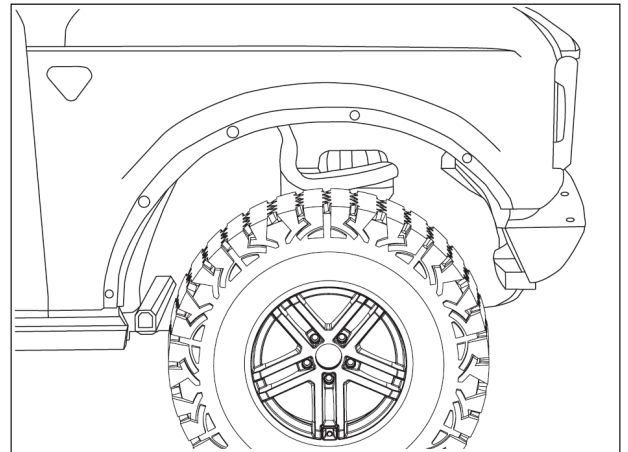
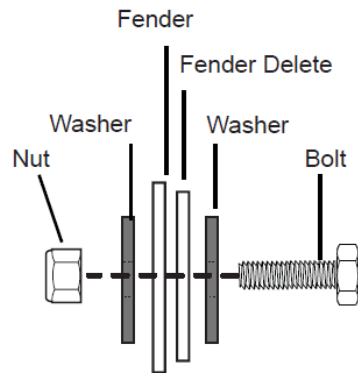


# FENDER FLARE DELETE KIT, BRONCO

4. Remove tape liner from the front of the fender delete.

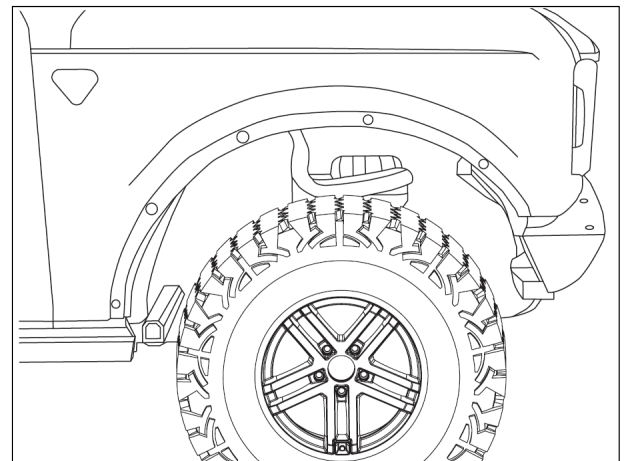


5. Install fender delete using (5) 133606M bolts, (10) WA1-0029 washers, and (5) NU1-0015 nuts. (See diagram below)



6. Replace fasteners and screws removed in Step 2 to re-attach fender liner.

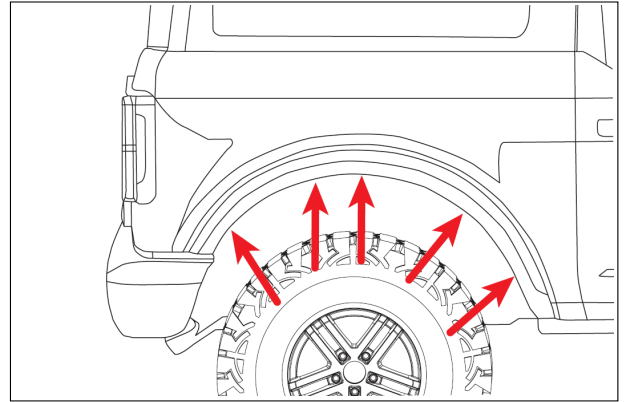
Completed front fender delete installation.



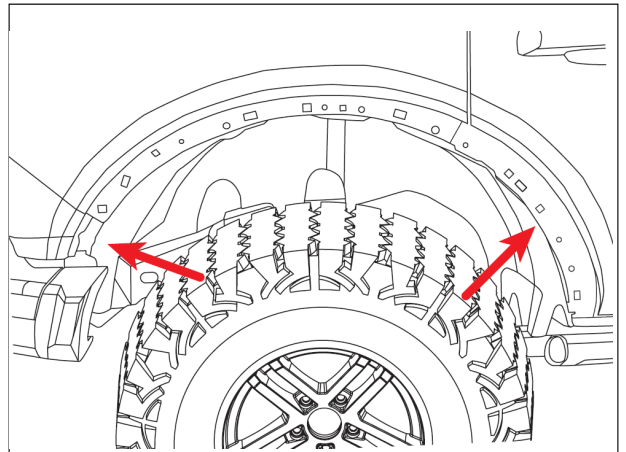
# FENDER FLARE DELETE KIT, BRONCO

## 7. Rear Flare Installation - Passenger's Side

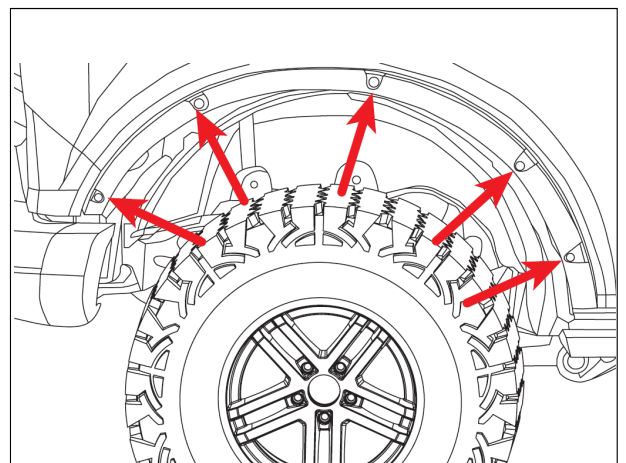
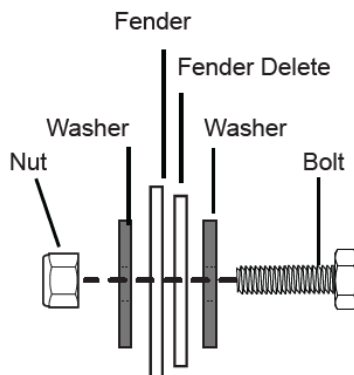
Twist (5) quarter turn fasteners. Firmly pull on flare to remove.



## 8. Remove (2) fender liner fasteners and retain.



9. Install fender delete using (5) 133606M bolts, (10) WA1-0029 washers, and (5) NU1-0015 nuts. (See diagram below)





## FENDER FLARE DELETE KIT, BRONCO

10. Replace fasteners removed in Step 9 to re-attach fender liner. Completed rear fender delete installation.

